

# Owner's Instruction and Operation Manual

*Comfort Glow®*

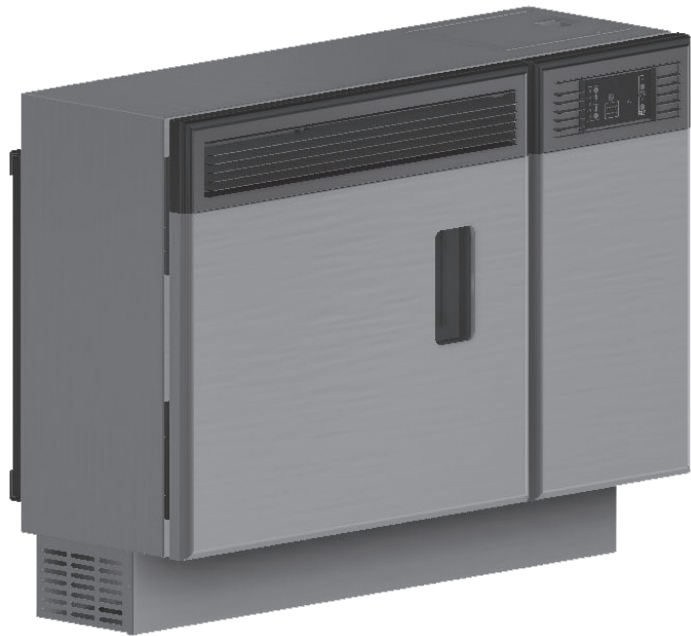
Model Number:

**WMPS7000**

4840



Report #: F20-598



Certified to ASTM Std E1509-12 (2022) and  
Certified to CAN/ULC S627:2023  
Mobile Home / Transportable Building Approved

\* All Pictures In This Manual Are For Illustrative Purposes Only. Actual Product May Vary.

854131-1902N

Save These Instructions In A Safe Place For Future Reference.



**SAFETY NOTICE:** If this heater is not properly installed, a house fire may result. For your safety, follow the installation instructions. Never use make-shift compromises during the installation of this heater. Contact local building or fire officials about permits, restrictions and installation requirements in your area. **NEVER OPERATE THIS PRODUCT WHILE UNATTENDED.**



**CAUTION!** Please read this entire manual before you install or use your new room heater. Failure to follow instructions may result in property damage, bodily injury, or even death. **Improper Installation Will Void Your Warranty!**

## **U.S. Environmental Protection Agency**

Certified to comply with 2020 particulate emissions standards.



## **CALIFORNIA PROPOSITION 65 WARNING:**

This product can expose you to chemicals including carbon monoxide, which is known to the State of California to cause cancer, birth defects, and/or other reproductive harm. For more information, go to [www.P65warnings.ca.gov](http://www.P65warnings.ca.gov)

THIS MANUAL IS SUBJECT TO CHANGE WITHOUT NOTICE.

World Marketing of America, Inc, 12256 William Penn Hwy, Mill Creek, PA 17060

Email: [info@worldmktng.com](mailto:info@worldmktng.com) PH: 1-800-776-9425

This manual describes the installation and operation of the Comfort Glow, WMPS7000, 4840 wood heater. This heater meets the 2020 U.S. Environmental protection agency’s crib wood emission limits for wood heaters sold after may 15, 2020. Under specific test conditions this heater has been shown to deliver heat at rates ranging from 8,141 to 12,161 btu/hr output.

Heating Specifications		
Heating Capacity	500 - 1,000 sq. ft.	* Pellet size may affect the actual rate of fuel feed, burn times, and hopper capacity. Fuel feed rates may vary by as much as 20%. Use PFI listed fuel for best results.
Fuel Burn Rate	3/4 - 2 1/2 lbs./hr.	
Burn Time (lowest setting)	35 hours	
Hopper Capacity *	*up to 28 lbs	
Electrical Specifications		
Electrical Rating	110-120 volt, 60Hz, 3.0 Amp	
Watts (operational)	175 approximately	
Watts (igniter running)	425 approximately	
Dimensions		
Height X Width X Depth	27" [685.7 mm] X 36" [914.4 mm] X 12.43" [315.77 mm]	
Depth with Mounting Wall Bracket	Approx. 14.27" [362.4 mm]	
Bottom Of Unit To Exhaust Pipe Center	16.02" (407 mm)	

<b>WARNING:</b>
<b>IT IS AGAINST FEDERAL REGULATIONS TO OPERATE THIS WOOD HEATER IN A MANNER INCONSISTENT WITH THE OPERATING INSTRUCTIONS IN THE OWNER’S MANUAL.</b>

# INSTALLATION CHECKLIST



Your Wood Stove should be installed by a qualified installer only. An NFI qualified Installer can be found at [www.nficertified.org/public/find-an-nfi-pro/](http://www.nficertified.org/public/find-an-nfi-pro/)

## CUSTOMER SERVICE

1-800-776-9425

## COMMISSIONING CHECKLIST

This checklist is to be completed in full by the qualified person who installs this unit. Keep this page for future reference.

Failure to install and commission according to the manufacturer's instructions and complete this checklist will invalidate the warranty.

Please Print

Customer Name:	Telephone Number:
Address:	
Model:	
Serial Number:	
Installation Company Name:	Phone Number:
Installation Technician's Name:	License Number:

## DESCRIPTION OF WORK

Location of installed appliance: \_\_\_\_\_

Chimney System: New Chimney System  Yes  No If yes, Brand \_\_\_\_\_

If no, Date of inspection of the existing chimney system: \_\_\_\_\_

## COMMISSIONING

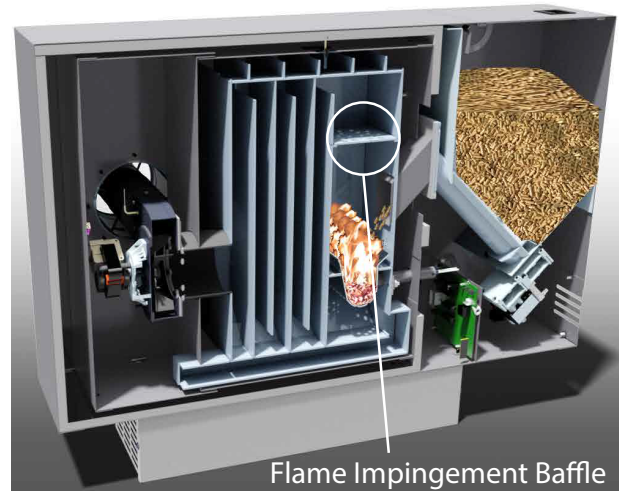
- Confirm Hearth Pad Installation as per Installation Instructions.....
- Confirm proper placement of internal parts.....
- Check soundness of door gasket and door seals .....
- Confirm clearances to combustibles as per installation instructions in this manual .....
- Check the operations of the air controls.....
- Confirm all flue pipe and chimney system are secure and sealed.....
- Confirm the stove properly drafts when fired.....
- Check to ensure a CO alarm is installed as per local building codes and is functional .....
- Explain the safe operation, proper fuel usage, cleaning and routine maintenance requirements.....

Declaration of Completion: As the qualified person responsible for the work described above, I confirm that the appliance as associated work has been installed as per manufacturer's instructions and following any applicable building and installation codes.

Signed: \_\_\_\_\_ Print Name: \_\_\_\_\_ Date: \_\_\_\_\_

**Home Owner: RETAIN THIS INFORMATION FOR FUTURE REFERENCE**

Ensure the flame impingement baffle is installed properly. If the baffle is not installed properly, push the plate up in the void at an angle, rotate it to horizontal and place it on the metal stops.



## INSTALLATION

**FOR CUSTOMER SERVICE CALL: 1-800-776-9425**

### WARNING:

- **A POWER SURGE PROTECTOR IS REQUIRED. THIS UNIT MUST BE PLUGGED INTO A 110 - 120V, 60 HZ GROUNDED ELECTRICAL OUTLET. DO NOT USE AN ADAPTER PLUG OR SEVER THE GROUNDING PLUG. DO NOT ROUTE THE ELECTRICAL CORD OVER THE HEATER. DO NOT ROUTE THE CORD IN FOOT TRAFFIC AREAS OR PINCH THE CORD UNDER FURNITURE.**
- **THE EXHAUST SYSTEM SHOULD BE CHECKED BIMONTHLY DURING THE BURNING SEASON FOR ANY BUILD-UP OF FLYASH, SOOT OR CREOSOTE.**
- **THIS APPLIANCE IS NOT INTENDED FOR COMMERCIAL USE.**
- **NEVER USE GASOLINE, GASOLINE-TYPE LANTERN FUEL, KEROSENE, CHARCOAL LIGHTER FLUID, OR SIMILAR FLAMMABLE LIQUIDS TO START OR "FRESHEN UP" A FIRE IN THIS HEATER. KEEP ALL SUCH LIQUIDS WELL AWAY FROM THE HEATER WHILE IT IS IN USE.**
- **DO NOT CONNECT TO OR USE IN CONJUNCTION WITH ANY AIR DISTRIBUTION DUCTWORK UNLESS SPECIFICALLY APPROVED FOR SUCH INSTALLATIONS.**
- **DO NOT CONNECT THIS UNIT TO A CHIMNEY FLUE SERVING ANOTHER APPLIANCE.**
- **DO NOT INSTALL A FLUE DAMPER IN THE EXHAUST VENTING SYSTEM OF THIS UNIT.**

### ATTENTION:

- **THIS HEATER MUST BE INSTALLED ON AN EXTERIOR WALL TO THE OUTSIDE.**
- **A WORKING SMOKE DETECTOR MUST BE INSTALLED IN THE SAME ROOM AS THIS PRODUCT.**

### ATTENTION:

- **THE HEATER WILL NOT OPERATE DURING A POWER OUTAGE. IF A POWER OUTAGE DOES OCCUR, CHECK THE HEATER FOR SMOKE SPILLAGE AND OPEN A WINDOW IF ANY SMOKE SPILLS INTO THE ROOM.**
- **NEVER BLOCK FREE AIRFLOW THROUGH THE OPEN VENTS OF THE UNIT.**
- **THE CHIMNEY CONNECTOR SHALL NOT PASS THROUGH AN ATTIC OR ROOF SPACE, CLOSET OR SIMILAR CONCEALED SPACE, OR A FLOOR, OR CEILING. WHERE PASSAGE THROUGH A WALL, OR PARTITION OF COMBUSTIBLE CONSTRUCTION IS DESIRED, THE INSTALLATION SHALL CONFORM TO CAN/CSA-B365, INSTALLATION CODE FOR SOLID-FUEL-BURNING APPLIANCES AND EQUIPMENT**
- **DO NOT PLACE CLOTHING OR OTHER FLAMMABLE ITEMS ON OR NEAR THIS HEATER.**

**CAUTION:**

**CONTACT YOUR LOCAL BUILDING OFFICIALS TO OBTAIN A PERMIT AND INFORMATION ON ANY ADDITIONAL INSTALLATION RESTRICTIONS OR INSPECTION REQUIREMENTS IN YOUR AREA.**



We recommend that our woodburning hearth products be installed and serviced by professionals who are certified in the U.S. by the National Fireplace Institute® (NFI) as NFI Woodburning Specialists or who are certified in Canada by Wood Energy Technical Training (WETT).



Your heater should be installed by a qualified NFI (US) or WETT (Canada) technician. To find the nearest qualified installer, go to:

<https://nficertified.org>,

<https://www.wettinc.ca/>

## INSTALLATION OPTIONS

Read this entire manual before you install and use your pellet stove. Failure to follow instructions may result in property damage, bodily injury, or even death! Before installing your heater, you must perform an initial burn in an OUTSIDE environment. Follow the Start-Up Procedure in the “Operation” section of this manual. See specific installation details for clearances and other installation requirements. Your pellet stove may be installed to code in either a conventional or mobile home/transportable building (see Standard Mobile Home/Transportable building Requirements). It is recommended that only a authorized technician install your heater, preferably a National Fireplace Institute (NFI) certified specialist. This heater must be installed on an exterior wall to allow exhaust venting to meet the minimum required clearances. Once the desired location is selected, and before cutting a hole, check the outside of the structure for anything obstructing clearances to the exhaust vent. Also clear away leaves, shrubs/bushes, or trees that may be around the exhaust outlet.

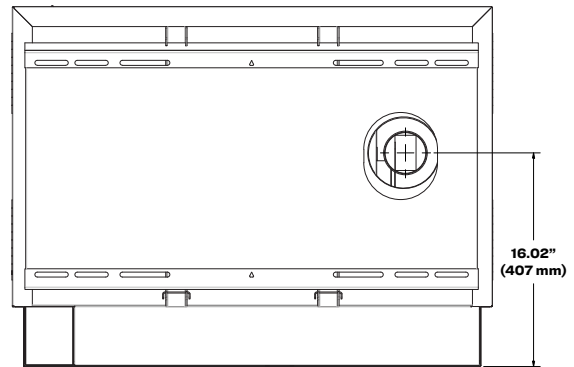
**CAUTION:**

**BEFORE INSTALLING YOUR HEATER, YOU MUST PERFORM AN INITIAL BURN IN AN OUTSIDE ENVIRONMENT. FOLLOW THE START-UP PROCEDURE IN THE OPERATION SECTION OF THIS MANUAL.**

## IMPROPER INSTALLATION

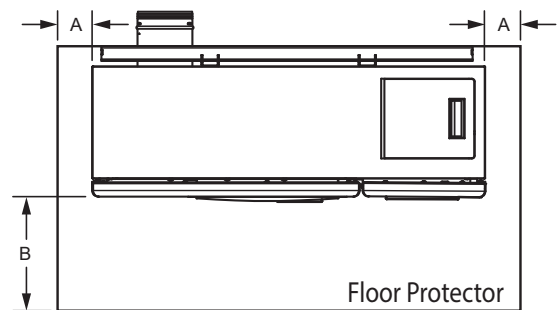
The manufacturer will not be held responsible for damage caused by the malfunction of a stove due to improper venting or installation. Consult a professional installer if you have any questions.

## EXHAUST LOCATIONS



## FLOOR PROTECTION

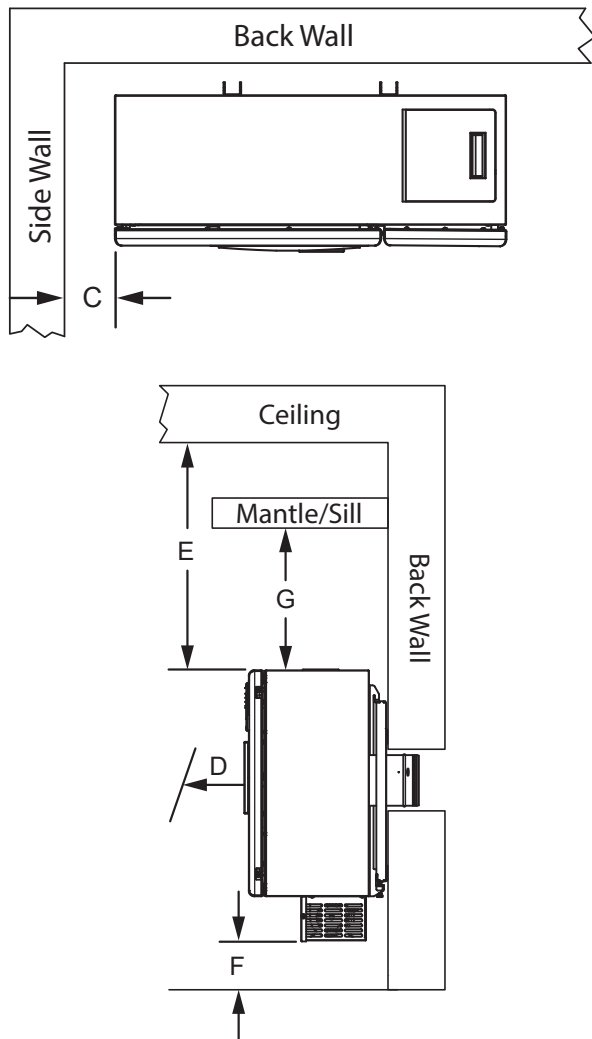
This heater must have a non-combustible floor protector (ember protection) installed beneath it if the floor is of combustible material. If a floor pad is used, it should be UL listed or equal. The floor protector should be large enough to extend under the stove and beyond each side as indicated. A Floor Protector of 1/4” thick is recommended for this installation



A	Sides	USA 2” (51 mm) CAN 8” (200 mm)
B	Front	USA 6” (152 mm) CAN 18” (450 mm)

## CLEARANCES

Your pellet stove has been tested and listed for installation in residential, mobile home/transportable building in accordance with the clearances given below. For safety reasons, please adhere to the installation clearances and restrictions. Any reduction in clearance to combustibles may only be done by means approved by a regulatory authority.



C	Side Wall To Stove	6" (152 mm)
D	Front Of Stove	24" (607 mm)
E	Ceiling To Stove (allow for fuel loading)	18" (457 mm)
F	Floor (allow for brace)	8" (203 mm vent must meet min. ground clearances)
G	Mantle/Sill	11" (279 mm)

## MOBILE HOME/TRANSPORTABLE BUILDING REQUIREMENTS

**WARNING!**  
**DO NOT INSTALL IN A SLEEPING ROOM**

**CAUTION!**  
**THE STRUCTURAL INTEGRITY OF THE MOBILE HOME/TRANSPORTABLE BUILDING FLOOR, WALL, AND CEILING/ROOF MUST BE MAINTAINED.**

- The heater must be permanently attached to the wall.
- The heater must be electrically grounded to the steel chassis of the mobile home/transportable building with 8 GA copper wire using a serrated or star washer to penetrate paint or protective coating to ensure grounding.
- When moving your mobile home/transportable building, the heater must be removed while the mobile home/transportable building is being relocated. After relocation, heater may be reinstalled and securely fastened.
- Check with your local building officials as other codes may apply.

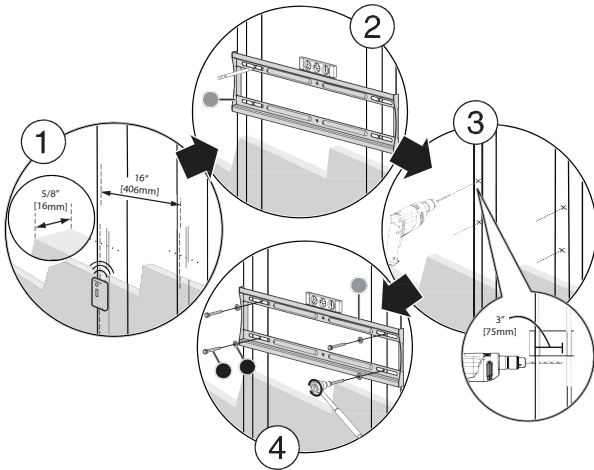
## GENERAL INSTALLATION NOTES

- Do not install heater where the exhaust will terminate in a window well or any opening below ground level.
- Special precautions may be required to prevent snow build-up within 12" of the air intake.
- Clearances around heater must provide adequate room for service, cleaning, and air circulation.
- Residential Garage Installation: The heater shall be located or protected so it is not subject to damage by a moving vehicle. Use care when selecting a good location within the garage. DO NOT locate the heater where the discharge air will be directed onto a nearby parked vehicle. DO NOT store containers of paint, gasoline, or other flammable liquids in the same area as the heater, inside or outside the home or structure.

**ATTENTION:**  
**DO NOT VENT UNDER ANY PORCH, DECK, AWNING, OR IN ANY SEMI ENCLOSED OR ROOFED AREA. DOING SO MAY RESULT IN UNPREDICTABLE AIRFLOW AT THE VENT CAP UNDER CERTAIN CONDITIONS AND CAN AFFECT THE PERFORMANCE OF YOUR STOVE, AS WELL AS, OTHER UNFORESEEABLE ISSUES.**

## WALL INSTALLATION

Select a wall to the exterior of the building. This wall should have the required clearance to combustibles inside and out as mentioned in this manual. Make certain that electrical wires, conduit, water or gas pipes do not pass through the area you have selected.



### A. Step 1 - Mount the wall plate

Note: Any material covering the wall (such as sheet rock) must not exceed 5/8" (16 mm).

#### Option 1: Mounting on a wood-stud wall

1. Locate the studs in exterior wall. Verify the center of the stud with an edge-to-edge stud finder. Mark center point at predetermined height which meets all clearance requirements of the appliance. Note: Make sure that the opening for the exhaust thimble is not too close to a stud in the wall before the hole is cut.
2. At the wall height that was determined in the previous step, place a mid-sized nail through the center triangular shaped hole of the mounting plate to hold it while the locations of the mounting holes and the exhaust/intake through hole are marked. Make sure that the wall mounting plate is flush against the wall, then level the mounting plate and verify that pilot holes are centered properly on the studs. Use a pencil to mark the pilot hole locations, and intake/ exhaust through hole, then remove the mounting plate from the wall.
3. Drill the four pilot holes to a depth of 2" (75 mm) using a 5/32" (3.96 mm) diameter drill bit.
4. Find the center of the through hole for the wall thimble and drill a pilot hole all the way through the wall to the exterior with an installer bit. Use this hole as a center point to cut your hole through the exterior wall.

5. Carefully cut exhaust/intake through hole in exterior wall completely through to the outside (see "Vent Clearances" section to ensure proper installation).
6. Install the wall thimble included with the vent kit to the manufactures instructions.
7. Realign the wall mount with the pilot holes and exhaust/intake through hole. Insert the four 1/4" x 2" lag bolts with washers, and tighten the lag bolts until the wall mounting bracket is pulled firmly against the exterior wall.

### WARNING:

**AVOID POTENTIAL INJURIES OR PROPERTY DAMAGE! DO NOT OVER-TIGHTEN THE LAG BOLTS. THIS COULD POTENTIALLY STRIP THE MOUNTING HOLES AND CAUSE THE BOLTS NOT TO HOLD CORRECTLY.**

#### Option 2: Mounting on a solid concrete or concrete block wall

1. Level the wall plate and mark the hole locations.
2. At the wall height you determined in the previous step, place a small nail thru center triangle hole of bracket and align the wall mount against the wall. Level bracket and verify that pilot holes are not located in the mortar of the cinder blocks. Use a pencil to mark the pilot hole locations, and intake/exhaust thru hole then remove the wall plate.
3. Drill pilot holes to a depth of 2" (75 mm) using a 5/32" (3.96 mm) diameter masonry drill bit.
4. Carefully cut intake/exhaust thru hole in exterior wall thru to the outside (see "Vent Clearances" section to ensure proper installation).
5. Insert 1/4" concrete wall anchors into the pilot holes and make sure that the anchors are seated flush with the concrete surface.
6. Align the wall plate with the anchors. Place washers over the screw holes in the wall plate, insert 1/4" x 2" lag bolts through the washers, and then tighten the lag bolts until the washers are pulled firmly against the wall plate and the wall mount is pulled firmly against the exterior wall.

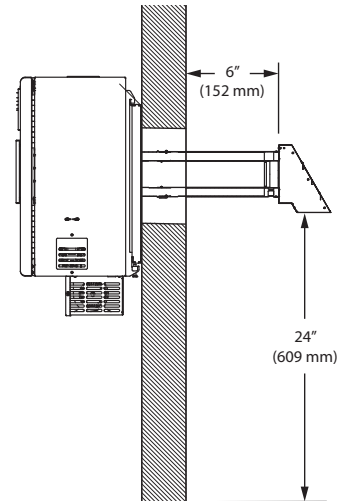
### B. Step 2 - Mounting the Heating Unit to the wall plate

Note: The Heating Unit is heavy. You will need assistance with this step.

1. Before hanging the unit on the wall bracket the exhaust/intake transition piece needs to be mounted

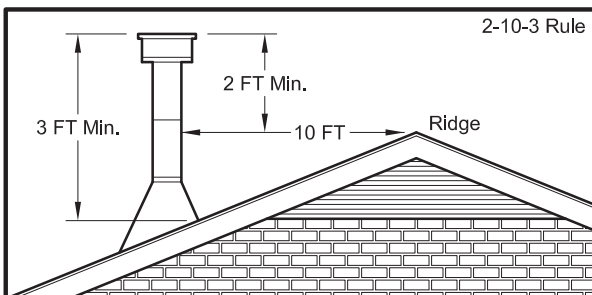
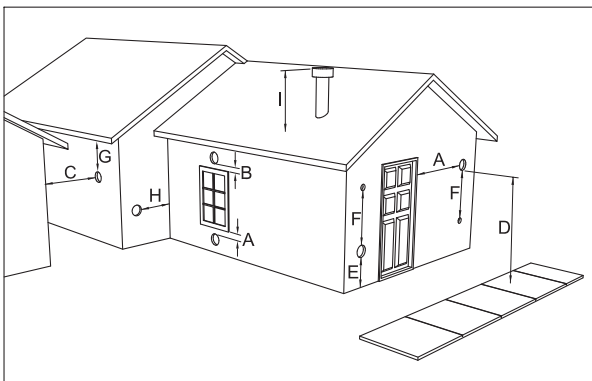
on the back of the unit. On the exhaust side of the unit there is a ring that is held on with four screws, it needs to be removed so the transition piece can be mounted. Use the supplied Phillips head self-tapping screws to attach the transition piece. Once the transition piece is mounted the ring on the outside of the unit can be put back on.

2. After you have your hole cut and mounting bracket secured to the wall, the heating unit can hang on the bracket.
3. Align /intake with the hole in the wall mounting bracket and thimble, and carefully insert heating unit. Tilt the top of the heating unit towards the wall and lower onto the wall mounting bracket making sure that the right and left bracket mounted to the unit hooks over the top of the wall mounting bracket. Allow the Heating Unit to pivot downward becoming parallel to the wall mounting bracket. Lift the unit up and the lower hooks will engage with the mounting bracket.
4. Once the unit is securely hanging on the wall mounting bracket there are two 7/16" head bolt on the bottom of the bracket that need to be tightened down to lock the unit to the bracket.
5. Once the unit is locked down the exhaust/ intake pipe can be attached to the unit on the outside of the house.



- A. Minimum 4-foot [1.2m] clearance below or beside any door or window that opens.
- B. Minimum 1-foot [0.3m] clearance above any door or window that opens.
- C. Minimum 2-foot [0.6m] clearance from any adjacent building.
- D. Minimum 7-foot [2.1m] clearance from any grade when adjacent to public walkways.
- E. Minimum 2-foot [0.6m] clearance above any grass, plants, or other combustible materials.
- F. Minimum 4-foot [1.2m] clearance from an forced air intake of any appliance.
- G. Minimum 2-foot [0.6m] clearance below eaves or overhang.
- H. Minimum 1-foot [0.3m] clearance horizontally from combustible wall.

## VENT TERMINATION CLEARANCES



**NOTICE:** This unit shall be installed in such a way that the exhaust gases are directed so they do not jeopardize people, overheat combustible structures, or enter buildings. The chimney connector shall not pass through an attic or roof space, closet or similar concealed space, or a floor, or ceiling. Where passage through a wall, or partition of combustible construction is desired, the installation shall conform to CAN/CSA-B365, Installation Code for Solid-Fuel-Burning Appliances and Equipment.

**IMPROPER INSTALLATION:**

**THE MANUFACTURER WILL NOT BE HELD RESPONSIBLE FOR DAMAGE CAUSED BY THE MALFUNCTION OF A HEATER DUE TO IMPROPER VENTING OR INSTALLATION.**



A source of fresh air shall be provided when required. To ensure this make sure that the intake to the concentric vent system is clear of all obstructions during use. You must use included the Duravent FasNSeal Concentric Vent System designed to work with this appliance from World Marketing of America. **DO NOT substitute other venting systems.** The 3" x 5" horizontal square termination kit (35CVS-KUS) includes:

- 3" x 5" stove adapter
- Adjustable Horizontal Square Cap 35CVS-HZSQ
- Wall Thimble 35CVS-WT

1. DirectVent Pro pipe and fittings are designed with special twist-lock connections. To connect the venting system to the appliance flue outlet, a twist-lock Appliance Adaptor is required. The adaptor will be supplied for installation in the field. Assemble the desired combination of Pipe Sections and Elbows to the Appliance Adaptor.

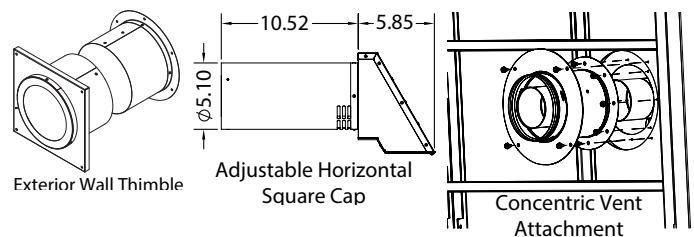
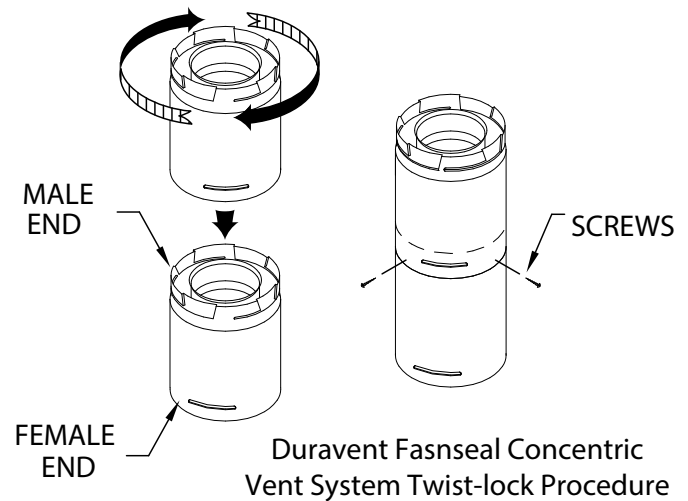
Notes:

- Twist-lock procedure - Line up locking lugs on male and female ends of pipe sections. Insert the male end of pipe into the female end until the locking lugs are covered. Twist the female end clockwise an eighth of a turn to lock sections together. Three screws are required to secure the joint, ensure they do not penetrate the inner wall of the vent pipe.
- Horizontal runs of vent pipe must be supported to prevent any downward sags. Horizontal pipe sections should be supported at least every 4 feet. Wall Straps can be used for this purpose.
- Seal all joints with high temperature silicone.

2. With the appliance adaptor and pipe section attached to the appliance, slide the appliance into its correct location, and mark the wall for a hole of the appropriate size. The center line of the pipe should line up with the center of the hole. Cut and frame the hole in the exterior wall where the vent will be terminated. A Wall Thimble is required.

Notes:

- The horizontal run of venting must be level, or have a 1/4 inch rise for every 1 foot of run towards the termination. Never allow the vent to run downward. A downward slope can trap heat and become a possible fire hazard.
- The location of the Horizontal Vent Termination on an exterior wall must meet all local and national building codes, and must not be easily blocked or obstructed. Termination clearances as shown in the "Vent Termination Clearances" section.



## NEVER OPERATE THIS PRODUCT WHILE UNATTENDED

### HOW YOUR HEATER WORKS

Your pellet heater operates on a timer based auger fuel feed system, that is controlled by a digital circuit board. The fuel is delivered from the auger into a burn pot, which is the vessel where the combustion process takes place. Based upon the heat ranges (1-5), the heater will feed the appropriate amount of fuel to reach a set temperature range. Note that the amount of heat produced by the heater is proportional to the rate of the fuel that is burned. Your heater is equipped with an automatic ignition system that should ignite the fuel within 5-10 minutes from pressing the ON button. As pellets fall into the burn pot and ignite, outside air is drawn in to feed the fire by a combustion blower. The post combustion gases are then pulled through the heat exchanger as they are traveling out the exhaust. As the heater warms up, room air is circulated around the heat exchanger by means of a room air blower, distributing warm air into the room. Because a forced draft pressure is required for the combustion process inside your heater, it is extremely important that the exhaust system be properly maintained. And, that when operating your heater, you make sure that the viewing and combustion doors are properly closed and/or sealed.

### CONTROL PANEL OVERVIEW

Turning the heater ON/OFF, as well as adjustments for the fuel feed rate is performed by pressing the appropriate button(s) on the control panel which is located on the front, lower left-hand corner of your heater.

#### ON/OFF

- Pressing the “ON” button on the control panel will begin the start-up sequence for the heater. Fuel will begin to feed through the auger feed system then ignite after approx. 5 minutes.
- Pressing the “OFF” button on the control panel will cause the heater to enter its shut-down sequence. The fuel feed system will stop pulling fuel from the hopper and, once the fire goes out and the heater cools down, the fans will stop running.

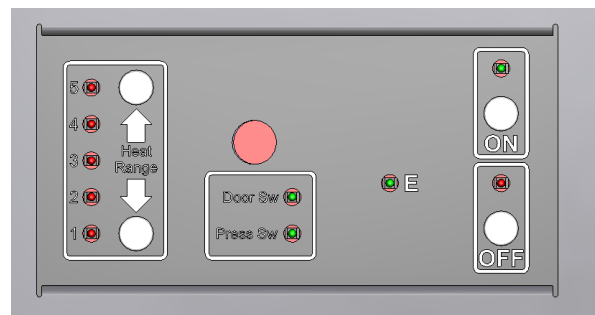
#### HEAT RANGE

- Pressing the “Heat Range” arrows, up or down, will adjust the amount of fuel being delivered to the burn pot.
- The exhaust blower will start. Note that this appliance pulses the exhaust blower in order to achieve the proper air to fuel ratio, and to also aid in the cleaning of the burn pot.

- Once the heater reaches a set temperature, the room fan will come on.

### LIGHT (LED) INDICATORS

- Heat Range LED - displays the selected heat setting. Number “1” LED lights to display that there is power to unit even if the heater is off.
- Door Sw LED - lights when front viewing door is opened or if the hopper lid is raised.
- Press Sw LED - lights if pressure is lost inside the combustion chamber (see “Errors”).
- E LED - Operational Error (see “Errors”).
- ON LED - Flashes in start-up mode. On solid during Run mode
- OFF LED - Flashes during shut down mode.



#### ATTENTION:

**THIS HEATER IS DESIGNED AND APPROVED FOR PREMIUM HARDWOOD PELLET FUEL ONLY. ANY OTHER TYPE OF FUEL BURNED IN THIS HEATER WILL VOID THE WARRANTY AND SAFETY LISTING.**

This heater is designed to burn only PFI Premium grade pellets. This appliance can also burn pellets rated as standard after May 16, 2015. DO NOT BURN:

1. Garbage;
2. Lawn clippings or yard waste;
3. Materials containing rubber, including tires;
4. Materials containing plastic;
5. Waste petroleum products, paints or paint thinners, or asphalt products;
6. Materials containing asbestos;
7. Construction or demolition debris;
8. Railroad ties or pressure-treated wood;
9. Manure or animal remains;

10. Salt water driftwood or other previously salt water saturated materials;
11. Unseasoned wood; or
12. Paper products, cardboard, plywood, or particleboard. The prohibition against burning these materials does not prohibit the use of fire starters made from paper, cardboard, saw dust, wax and similar substances for the purpose of starting a fire in an affected wood heater. Burning these materials may result in release of toxic fumes or render the heater ineffective and cause smoke.

## UNIT PREPARATION

CAUTION:
<ul style="list-style-type: none"><li>• <b>KEEP FOREIGN OBJECTS OUT OF THE HOPPER.</b></li><li>• <b>THE MOVING PARTS OF THIS HEATER ARE PROPELLED BY HIGH TORQUE ELECTRIC MOTORS. KEEP ALL BODY PARTS AWAY FROM THE AUGER WHILE THE HEATER IS PLUGGED INTO AN ELECTRICAL OUTLET. THESE MOVING PARTS MAY BEGIN TO MOVE AT ANY TIME WHILE THE HEATER IS PLUGGED IN.</b></li></ul>

After properly installing your heater, you will need to attach the electrical cord to the right side blower housing first; then plug it into a 110 Volt outlet (an outlet surge protector is highly recommended).

## OPTIMAL OPERATION

This pellet stove has been certified by the US EPA to meet strict 2020 guidelines. To insure this unit produces the optimal minimal emissions, it is critical to follow the following guidelines. To achieve a “high burn”, your stove should be set on setting 5. To achieve a “medium burn”, your stove should be set on setting 1. To achieve a “low burn”, your stove should be set on setting 1. Setting 3 and 4 will give you a higher heat output above the medium setting. If the door is opened while the stove is in operation, it must be closed within 30 seconds or the stove will shut down.

## PERFORMING AN INITIAL BURN

You must perform an initial burn in this appliance before installing it in your home or garage. This process is to ensure that the appliances is functioning correctly, to cure the high temperature paint and burn off any oil that is present in the sheet metal components of the combustion chamber. For the initial burn, only add a small amount of fuel, approximately 4-5 lbs or about the amount to fill a 2 lb coffee can. Operate the appliance on the 3 or 4 heat setting for approximately 30 minutes to an hour. There will probably be a small amount of smoke or

fumes irradiating from the appliance during this process. Follow the Start-Up procedure below to begin your burn.

## START-UP PROCEDURE

WARNING:
<ul style="list-style-type: none"><li>• <b>DO NOT USE CHEMICALS OR FLUIDS TO START THE FIRE; DO NOT BURN GARBAGE OR FLAMMABLE FLUIDS SUCH AS GASOLINE, NAPHTHA OR ENGINE OIL.</b></li><li>• <b>HOT WHILE IN OPERATION. KEEP CHILDREN CLOTHING AND FURNITURE AWAY. CONTACT MAY CAUSE SKIN BURNS. DO NOT TOUCH THE HOT SURFACES OF THE HEATER. EDUCATE ALL CHILDREN ON THE DANGERS OF A HIGH-TEMPERATURE HEATER. YOUNG CHILDREN SHOULD BE SUPERVISED WHEN THEY ARE IN THE SAME ROOM AS THE HEATER.</b></li><li>• <b>NEVER USE GASOLINE, GASOLINE-TYPE LANTERN FUEL, KEROSENE, CHARCOAL LIGHTER FLUID, OR SIMILAR LIQUIDS TO START OR “FRESHEN UP” A FIRE IN THIS HEATER. KEEP ALL SUCH LIQUIDS WELL AWAY FROM THE HEATER WHILE IT IS IN USE.</b></li></ul>

1. Verify that the hopper is clean and free of foreign matter.
2. Fill the hopper with wood pellets; do not allow any part of the bag or any other foreign material into the hopper, as this may jam the auger.
3. Ensure that all pellet matter is cleared from the hopper seating surface.
4. Close the hopper lid. The unit WILL NOT feed fuel with the hopper lid open.
5. Verify that there is no pellet fuel, ash, or foreign matter in the burn-pot before starting the appliance.
6. Make sure that the viewing door and combustion door is securely closed (the safety switch will not allow the heater to feed fuel if they are left open).
7. Press the “ON” button on the control pad and set the “heat RANGE” to your desired setting. The ON light will be flashing and the light corresponding with the heat setting will be light.

The heater will begin to feed fuel and the exhaust (draft) blower is running. Note that the exhaust blower is pulsing. The auto-start ignitor will ignite the fuel in approximately 5-10 minutes. In the start-up mode, the “ON” LED will flash until it reaches a factory preset temperature. At that point, the “ON” LED will come on solid and the heater will begin to ramp up to your selected heat range. The Room Air Blower will not function until the heater reaches a factory preset temperature. Attempts to achieve heat output rates that exceed heater design specifications can result in permanent damage to the heater.

**SHUT DOWN PROCEDURE****WARNING:**

**NEVER SHUT DOWN THIS UNIT BY UNPLUGGING IT FROM THE POWER SOURCE.**

Press the “OFF” button on the control pad to put the stove in shut down mode. At this time, the red light above the OFF will blink and the “ON” light will go off. The auger will stop feeding pellets, but the distribution blower and exhaust blower will continue to operate. When the internal temperature of the unit drops below the factory preset temperature, the distribution blower and exhaust blower will cease to operate. The red light will then shut off and the unit will be completely shut down. The hotter the unit is during its operation, the longer it will take for the stove to complete the shut down cycle. If the stove stays on for more than 1 hour after pressing the “OFF” button and you are sure that the fire is out, the stove can be unplugged from the outlet. After approximately 10 seconds, the unit can be re-connected to the power source and the control board will be reset.

**DAILY OPERATION**

- Never place your hand near the auger while the heater is in operation.
- This unit should be filled when the hopper level drops below 3-inches.
- In the event of a power outage, the heater will not function. If the unit was “ON” when the power outage occurred, one of the following will take place:
  1. If the heater is still warm, it will resume feeding fuel and continue to operate normally. If the fire has gone out, you will have to press the “OFF” button and then the “ON” button again to begin a new start-up sequence.
  2. If the heater has cooled-off, it will reset to its “OFF” condition. At this point, you may press the “ON” button and the unit will begin a new start-up sequence. Make it a habit to empty the burn pot in these situations.

NOTE: The unit will also shut down in the event of an exhaust blower failure; if this is the case, the unit will not re-start and you must contact Customer Service. The amount of visible smoke being produced can be an effective method of determining how efficiently the combustion process is taking place at the given settings. Visible smoke consist of unburned fuel and moisture leaving your stove. Learn to adjust the air settings of your specific unit to produce the smallest amount of visible smoke. Wood that has not been seasoned properly and has a high wood moisture content will produce excess visible smoke and burn poorly.

**SAFETY AND CONVENIENCE FEATURES**

Your heater incorporates safety switches that helps ensure that everything is in proper working order before feeding fuel to the burn pot. The heater will not operate if the viewing or combustion door is left open; or if the exhaust blower fails or the exhaust system is blocked. The RTD, Resistance Temperature Device, will prevent your heater from operating at abnormally high temperatures. The heater has two over temperature limits. If the unit reaches the first limit, it will reduce fuel consumption in order to reduce temperatures. If the unit reaches the second limit, it will shut down and will need to be restarted.

Your heater also includes an auto-start igniter as a standard feature. The use of other fire starter materials (wood chips, starter gel, etc.) is not necessary. By simply pressing the “ON” button on the digital control panel, your heater will begin to feed fuel and automatically start within 5 minutes.

This wood heater has a manufacturer-set minimum burn rate that must not be altered. It is against federal regulations to alter this setting or otherwise operate this wood heater in a manner inconsistent with operating instructions in this manual.

## NEVER OPERATE THIS PRODUCT WHILE UNATTENDED

### WARNING:

- **DISCONNECT THE POWER CORD BEFORE PERFORMING ANY MAINTENANCE! NOTE: TURNING THE ON/OFF SWITCH TO "OFF" DOES NOT DISCONNECT ALL POWER TO THE ELECTRICAL COMPONENTS OF THE HEATER.**
- **TURN THE HEATER OFF AND ALLOW TO COMPLETELY COOL BEFORE PERFORMING ANY MAINTENANCE.**
- **DO NOT UNPLUG THE HEATER IF YOU SUSPECT A MALFUNCTION. TURN THE ON/OFF SWITCH TO "OFF" AND CONTACT YOUR DEALER.**
- **NEVER DISABLE OR BYPASS THE SAFETY DEVICES IN THIS UNIT. DOING SO COULD RESULT IN DAMAGE TO THE UNIT OR ENDANGER YOURSELF OR SOMEONE ELSE.**

### EXHAUST SYSTEM

The by products of combustion contain small particles of fly ash. Fly ash will collect in the exhaust venting system and restrict the flow of flue gases. Incomplete combustion, such as during startup, shutdown, or incorrect operation of the heater will lead to soot or creosote formation which will collect in the exhaust system and if ignited, an extremely hot fire could result. Therefore, it is important that the exhaust system be inspected and cleaned at least bi-monthly during the burning season. Contact your local municipal or provincial fire authority for information on how to handle a fire. Have a clearly understood plan to handle a fire if one should ever occur. Cleaning or monitoring the areas behind the front cleanout door should be done frequently to ensure minimum fly ash or soot/creosote build-up.

### INTERIOR CHAMBERS

Periodically remove and clean the burn pot, flame impingement plate and the areas behind the cleanout door. In particular, it is advisable to clean out the holes in the burn pot to remove any build up that may prevent air from moving through the burn pot freely. As good practice, you should remove and clean the burn pot each time you restart the heater, weekly or as needed as this ensures that the best efficiency is achieved. If a vacuum is used to clean your heater, we suggest using a vacuum designed for ash removal. Some regular vacuum cleaner (i.e. shop vacs) may leak ash into the room.

### ASH REMOVAL

Remove the ashes periodically to avoid unnecessary ash build up. Ash removal is as follows:

1. Let fire burn out and allow unit cool to room temperature.
2. Clean the heat exchanger tubes (see Heat Exchanger Cleaning section) – Make sure Pellet Stove is at room temperature before touching .
3. Open the ash pan door, remove the burn pot and empty into metal container.
4. Vacuum to remove ashes from the firebox.
5. BE SURE THAT ASHES ARE COOL TO THE TOUCH BEFORE VACUUMING. Some vacuum cleaners may leak ash into the room. Your vacuum cleaner should have a special filter or bag to eliminate leakage.
6. Remove ash pan and dispose of ashes into metal container.
7. Reinstall ash pan.
8. Reinstall burn pot.

### ASH DISPOSAL

#### CAUTION:

**ASHES MUST BE DISPOSED IN A METAL CONTAINER WITH A TIGHT FITTING LID. THE CLOSED CONTAINER OF ASHES SHOULD BE PLACED ON A NON-COMBUSTIBLE SURFACE OR ON THE GROUND, WELL AWAY FROM ALL COMBUSTIBLE MATERIALS, PENDING FINAL DISPOSAL.**

Ashes should be placed in a metal container with a tight fitting lid. The closed container of ashes should be placed on a non-combustible floor or on the ground, well away from all combustible materials, pending final disposal. If the ashes are disposed of by burial in soil or otherwise locally dispersed, they should be retained in the closed container until all cinders have been thoroughly cooled. Do not place other waste in the same container.

### SMOKE AND CO MONITORS

Burning wood naturally produces smoke and carbon monoxide(CO) emissions. CO is a poisonous gas when exposed to elevated concentrations for extended periods of time. While the modern combustion systems in heaters drastically reduce the amount of CO emitted out the chimney, exposure to the gases in closed or

confined areas can be dangerous. Make sure your stove gaskets and chimney joints are in good working order and sealing properly to ensure unintended exposure. It is recommended that you use both smoke and CO monitors in areas having the potential to generate CO.

### **CHECK AND CLEAN THE HOPPER**

Check the hopper periodically to determine if there is any sawdust or pellets that are sticking to the hopper surface. Clean as needed.

### **DOOR AND GLASS GASKETS**

**CAUTION:**

**DO NOT OPERATE YOUR HEATER WITH THE VIEWING OR COMBUSTION DOOR OPEN. THE AUGER WILL NOT FEED PELLETS UNDER THESE CIRCUMSTANCES AND A SAFETY CONCERN MAY ARISE FROM SPARKS OR FUMES ENTERING THE ROOM.**

Inspect the door's and ash pan's gaskets periodically. These may need to be removed to have frayed, broken, or compacted gaskets replaced. Keep door, glass, and ash pan seals in good condition. This unit's door uses a 3/8" diameter rope gasket.

### **BLOWER MOTORS**

Clean the air holes on the motors of both the exhaust and distribution blowers annually. Remove the exhaust blower from the exhaust duct and clean out the internal fan blades as part of your fall start-up.

### **PAINTED SURFACES**

Painted surfaces may be wiped down with a damp cloth. If scratches appear, or you wish to renew your paint, contact your Authorized pellet heater Dealer to obtain a can of suitable high-temperature paint.

### **GLASS**

Cleaning - We recommend using a high quality glass cleaner. Should a buildup of creosote or carbon accumulate, you may wish to use 000 steel wool and water to clean the glass. DO NOT use abrasive cleaners. DO NOT perform the cleaning while the glass is HOT. In

the event you need to replace the glass, Do not attempt to operate the unit with broken glass. Replacement glass may be purchased from your U.S. Stove Pellet Burning Room Heater Dealer. If glass is broken, follow these removal procedures:

1. Remove the retainers and any broken glass or gasket from the sealing face of the door.
2. Install a new glass gasket.
3. Re-install the retainers to hold the glass. Be careful not to over-tighten the screws for this could damage the glass.
4. To replace the viewing door glass remove the back of the door and the insulation, then proceed as described for the firebox door glass replacement.
5. DO NOT abuse the door glass by striking, slamming or similar trauma. Do not operate the stove with the glass removed, cracked or broken.

### **FALL START UP**

Prior to starting the first fire of the heating season, check the outside area around the exhaust and air intake systems for obstructions including leaves, bushes/shrubs, and/or trees. Clean and remove any fly ash from the exhaust venting system. Clean any screens on the exhaust system and on the outside air intake pipe. Turn all of the controls on and make sure that they are working properly. This is also a good time to give the entire heater a good cleaning throughout.

### **SPRING SHUT DOWN**

After the last burn in the spring, remove any remaining pellets from the hopper and the auger feed system. Scoop out the pellets and then run the auger until the hopper is empty and pellets stop flowing. Vacuum out the hopper. Thoroughly clean the burn pot, and firebox. The exhaust system should be thoroughly cleaned. If removing the unit for storage, store the heater in a dry location.

### **YEARLY SERVICING**

A yearly servicing and cleaning by your Authorized pellet heater dealer is recommended. A fee may be charged for this service.

## MAINTENANCE SCHEDULE

Use the following as a guide under average use conditions.

Gaskets around door and door glass should be inspected and repaired or replaced when necessary.

- Failure to clean and maintain this unit as indicated can result in poor performance, safety hazards and void your warranty.
- Unplug your heater’s electrical cord prior to removing the back panel or opening the exhaust system for any inspection, cleaning, or maintenance work.
- Never perform any inspections, cleaning, or maintenance on a hot heater.
- Do not operate heater with broken glass , leakage of flue gas may result.

	Daily	Weekly	Monthly or as needed
Burn Pot	Stirred	Empty	
Combustion Chamber		Brushed	
Ashes		Check	Empty
Interior Chambers			Vacuumed
Combustion Blower Blades			Vacuumed / Brushed
Convection Blower Impeller			Vacuumed / Brushed
Vent System			Cleaned
Gaskets			Inspected
Glass			Wiped/ Cleaned
Hopper (end of season)			Emptied & Vacuumed
Heat Exchanger Tubes			Bi-Weekly

## INSTRUCTIONS SPECIFIC FOR CANADIAN INSTALLATIONS

Do not obstruct the space under the heater and do not obstruct the combustion air openings.

Refer to the chimney manufacturer’s instructions for disassembling the chimney/venting for transportation of a transportable building.

The parts or materials to be employed for ember protectors and the minimum areas to be covered and their relation to the space heater, as well as the notice: “In Canada, to comply with CSA B365, Installation Code for Solid-Fuel-Burning Appliances and Equipment, any combustible covering beneath the appliance and/or within the area extending horizontally at least 450 mm (18 in) beyond the appliance on any side equipped with a door, and at least 200 mm (8 in) beyond the appliance on other sides, shall be protected by a continuous, durable,

non-combustible pad that will provide ember protection. The 450 mm (18 in) ember protection required on any side with a door shall extend for the full width of the appliance plus the 200 mm (8 in) required on each side of the appliance without a door. Where an appliance is installed less than 200 mm (8 in) from a wall, the ember pad need only extend to the base of the wall. An ember pad shall not be placed on top of a carpet unless the pad is structurally supported to prevent displacement and distortion.

If this appliance is installed in a transportable building, removal of the chimney/venting is required for transportation of the building.

**DO NOT INSTALL IN AN ALCOVE**

**DO NOT INSTALL IN ANY FIREPLACE**

- Disconnect the power cord before performing any maintenance! NOTE: Switching the appliance to "OFF" does not disconnect all power to the electrical components of the heater.
- Never try to repair or replace any part of the heater unless instructions for doing so are given in this manual or supplied from the factory. All other work should be done by a trained technician.

PROBLEM	CAUSE: To rich air/fuel mixture
Orange, lazy flame, excessive fuel build-up in the burn pot	Clean out the burn pot and behind the cleanout door. Make sure that the combustion door is closed and sealed properly. If not, adjust door catch and/or replace door gaskets. Check that the exhaust is clear of any obstructions. Clean as needed Check for proper seating of the burn pot.
PROBLEM	CAUSE: Burn pot burns out of fuel
Fire goes out or heater shuts down.	Hopper is empty, refill the hopper. Loss of draft pressure. Make sure that the combustion door is closed and sealed properly. If not, adjust door catch and/or replace door gaskets. Check that the exhaust is clear of any obstructions. Clean as needed. Make sure the viewing door and hopper lid is closed completely. Auger system is jammed or there is a "bridging" of the fuel in the hopper, preventing fuel from flowing into the auger feed system.
PROBLEM	CAUSE: Auto-Start Igniter fails to ignite the fuel in the burn pot.
Heater does not start a fire when the "ON" button is pushed	Turn the heater "OFF". Clear the unburnt fuel from the burn pot and try again. Check the pellet quality. Replace if moist, wet, or dirty. Loss of draft pressure. Make sure that the combustion door is closed and sealed properly. If not, adjust door catch and/or replace door gaskets. Check that the exhaust is clear of any obstructions. Clean as needed. Check that the auto-start igniter is not blocked with ash or soot. (The igniter is located behind the burn pot on the back wall of the combustion chamber.) The auto-start igniter gets "red hot" during start-up. If you can not visibly see the igniter glowing during start-up, then the igniter may need to be replaced or there is a problem with the electrical control system. Check for proper alignment between the burn pot and the igniter tube.
PROBLEM	CAUSE: Heater has reached the 2nd over temperature limit.
Heater enters shut-down mode	To much fuel in the burn pot. Restart heater after heater has cooled. RTD sensor in the room discharge air may be faulty causing the room fan not to come on. Contact your dealer.
The air inlet, burnpot, interior combustion air chambers, combustion blower, or exhaust pipe are blocked with ash or foreign material.	Follow all cleaning procedures in the maintenance section of the owner's manual.
Pressure switch hose or stove attachment pipes for hose are blocked.	Unhook air hose from the pressure switch and blow through it. If air flows freely, the hose and tube are fine. If air will not flow through the hose, use a wire coat hanger to clear the blockage.
The firebox is not properly sealed.	Make sure the door is closed and that the gasket is in good shape.
Vent pipe is incorrectly installed	Check to make sure vent pipe installation meets criteria in owner's manual.
The pressure switch wire connections are bad.	Check the connectors that attach the wires to the pressure switch.

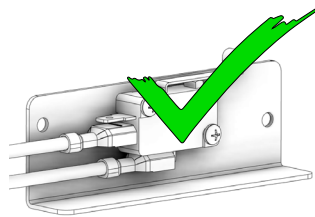
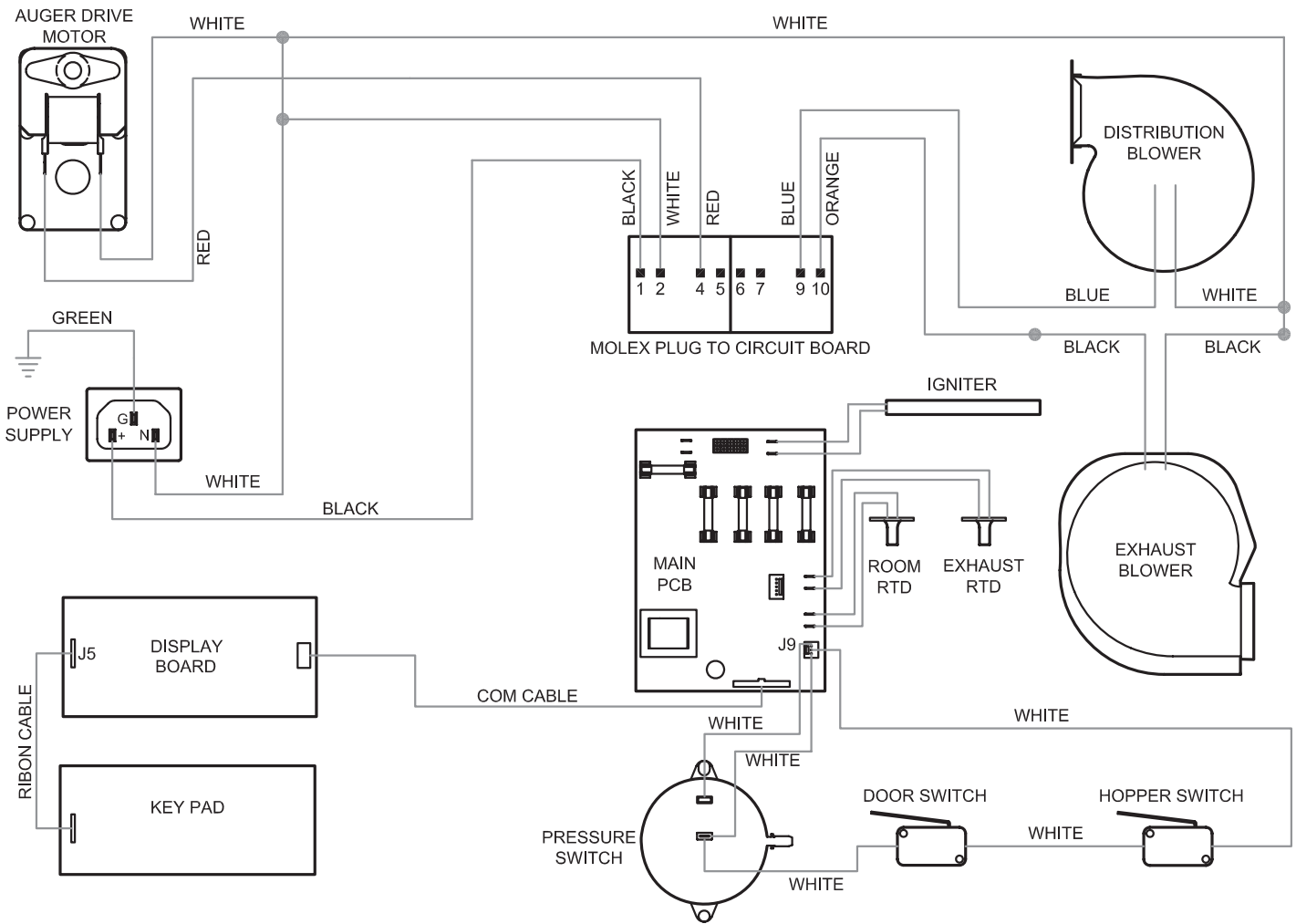


# TROUBLE SHOOTING ERRORS

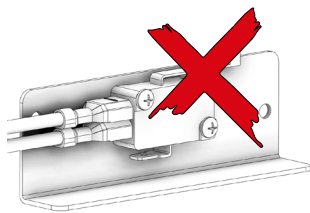
Combustion blower failure.	With the stove on, check to see if the combustion blower is running. If it is not, you will need to check for power going to the combustion blower. It should be a full current. If there is power, the blower is bad.
Control board not sending power to combustion blower.	If there is no current going to the combustion blower, check all wire connections and fuse. If all wires are properly connected, you have a bad control board.
Control board not sending power to pressure switch.	There should be a 5-volt current (approximately) going to the air switch after the stove has been on for 30 seconds.
Pressure switch has failed.	To test the pressure switch, you will need to disconnect the air hose from the body of the stove. With the other end still attached to the pressure switch, very gently suck on the loose end of the hose (you may want to remove the hose entirely off the stove and the pressure switch first and make sure it is clear). If you hear a click, the air switch is working. BE CAREFUL too much vacuum can damage the air switch!

**CAUTION:**

**THIS WOOD HEATER NEEDS PERIODIC INSPECTION AND REPAIR FOR PROPER OPERATION. IT IS AGAINST FEDERAL REGULATIONS TO OPERATE THIS WOOD HEATER IN A MANNER INCONSISTENT WITH OPERATING INSTRUCTIONS IN THIS MANUAL.**

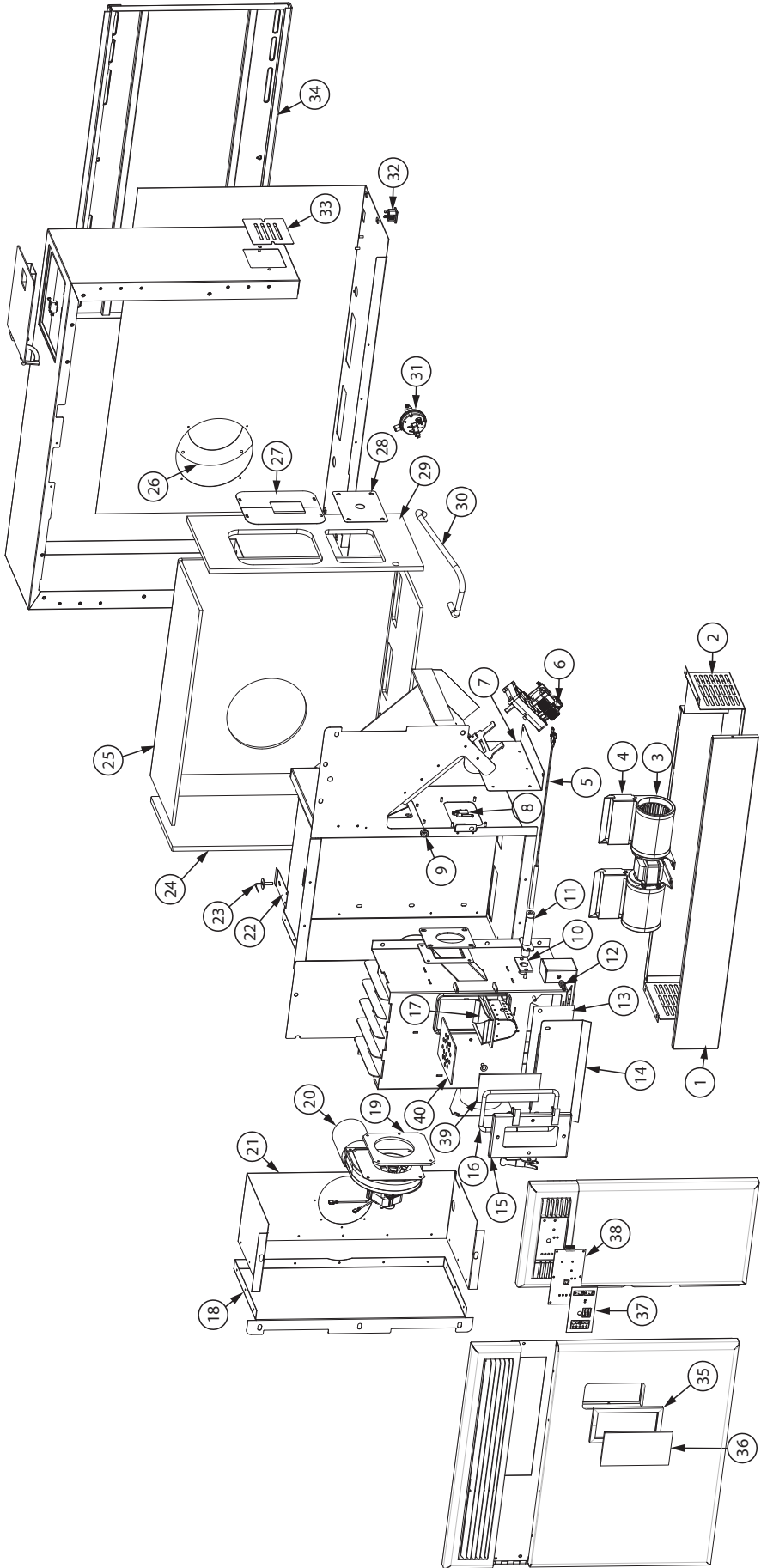


**CORRECT**



**WRONG**

**ENSURE THE WIRES ARE CONNECTED TO THE BOTTOM TWO PRONGS OF THE HOPPER SWITCH AS SHOWN.**



Key	Part #	Description	Qty
1	893318	Distribution Fan Enclosure Panel	1
2	893319	Distribution Fan Enclosure	1
3	80542	3" Double Centrifugal Blower - 125CFM	1
4	26210	Room Fans Extenders	2
5	80619	Ignitor Cartridge	1
6	80529	Auger Motor	1
7	26211	Pressure Switch/PC Board Mounting Bracket	1
8	69814	Door Switch Assembly	1
9	892004	Magnet	1
10	88118	Ignitor Flange Gasket	1
11	69820	Ignitor Tube	1
12	89586	Auger Nipple	1
13	88184	Burn Chamber Gasket Clean Door	1
14	26175	Burn Chamber Clean Door	1
15	892397	Burn Chamber Door	1
16	88033	Combustion Chamber Gasket	1
17	891748	Burnpot Weldment	1
18	26187	Right Side Exhaust Panel	1
19	88182	Exhaust Blower Gasket	1
20	80655	Exhaust - 70 CFM Blower	1
21	26185	Exhaust Panel, Top, Bottom, And Back Side	1

Key	Part #	Description	Qty
22	26231	RTD Mounting Bracket	1
23	80694	Platinum RTD	1
24	88179	LT Chamber Insulation	1
25	88178	Wrapped Chamber Insulation	1
26	26360	Exhaust/Intake Beauty ring	1
27	26196	Feed Tube Cover	2
28	26195	Ignitor Cover	1
29	88180	Chamber Insulation RT	1
30	891121	Vacuum Hose	1
31	80549	Pressure Switch	1
32	80462	3 Prong Receptacle	1
33	26229	Auger Access Cover	1
34	69808	Wall Mount Bracket Assy.	1
35	88341	Window Gasket	1
36	892215	Door Viewing Glass	1
37	80550	Keypad Assembly	1
38	80545	Controller Board Assembly	1
39	892214	Combustion Chamber Door Glass	1
40	892392	Flame Suppressor Plate	1

**IN ORDER TO MAINTAIN WARRANTY, COMPONENTS MUST BE REPLACED USING ORIGINAL MANUFACTURERS PARTS PURCHASED THROUGH YOUR DEALER OR DIRECTLY FROM THE APPLIANCE MANUFACTURER. USE OF THIRD PARTY COMPONENTS WILL VOID THE WARRANTY.**

# SERVICE RECORD



It is recommended that your heating system is serviced regularly and that the appropriate Service Interval Record is completed.

## SERVICE PROVIDER

Before completing the appropriate Service Record below, please ensure you have carried out the service as described in the manufacturer's instructions. Always use the manufacturer's specified spare part when replacement is necessary.

<b>Service 01</b>	Date: _____
Engineer Name: _____	
License No.: _____	
Company: _____	
Telephone No.: _____	
Stove Inspected: <input type="checkbox"/>	Chimney Swept: <input type="checkbox"/>
Items Replaced: _____	

<b>Service 02</b>	Date: _____
Engineer Name: _____	
License No.: _____	
Company: _____	
Telephone No.: _____	
Stove Inspected: <input type="checkbox"/>	Chimney Swept: <input type="checkbox"/>
Items Replaced: _____	

<b>Service 03</b>	Date: _____
Engineer Name: _____	
License No.: _____	
Company: _____	
Telephone No.: _____	
Stove Inspected: <input type="checkbox"/>	Chimney Swept: <input type="checkbox"/>
Items Replaced: _____	

<b>Service 04</b>	Date: _____
Engineer Name: _____	
License No.: _____	
Company: _____	
Telephone No.: _____	
Stove Inspected: <input type="checkbox"/>	Chimney Swept: <input type="checkbox"/>
Items Replaced: _____	

<b>Service 05</b>	Date: _____
Engineer Name: _____	
License No.: _____	
Company: _____	
Telephone No.: _____	
Stove Inspected: <input type="checkbox"/>	Chimney Swept: <input type="checkbox"/>
Items Replaced: _____	

<b>Service 06</b>	Date: _____
Engineer Name: _____	
License No.: _____	
Company: _____	
Telephone No.: _____	
Stove Inspected: <input type="checkbox"/>	Chimney Swept: <input type="checkbox"/>
Items Replaced: _____	

<b>Service 07</b>	Date: _____
Engineer Name: _____	
License No.: _____	
Company: _____	
Telephone No.: _____	
Stove Inspected: <input type="checkbox"/>	Chimney Swept: <input type="checkbox"/>
Items Replaced: _____	

<b>Service 08</b>	Date: _____
Engineer Name: _____	
License No.: _____	
Company: _____	
Telephone No.: _____	
Stove Inspected: <input type="checkbox"/>	Chimney Swept: <input type="checkbox"/>
Items Replaced: _____	

*Limited Warranty*  
*Comfort Glow* (Wood and Pellet Stoves)

Warranty Period		<i>Comfort Glow</i> Branded Solid Fuel Burning Products		
Component Parts	Labor	Pellet	Wood	Component Parts Covered by this Warranty
2 Years from Date of Purchase		x	x	Cast Iron Components, Steel liners, Retainers, Gaskets, Firebrick and All Electrical Components. All Parts including handles, external enameled components and other material except as covered by Warranty conditions, Warranty Exclusions, and Warranty Limitations listed.

The operation of this unit in a manner inconsistent with the owner’s manual will void the warranty and is also against federal regulations. World Marketing of America, Inc. warrants this product to be free from defects in material and workmanship, to the original retail purchaser only, and for the time period identified above, measured from the date of the initial purchase as evidenced on an invoice, cancelled check, sales receipt, etc., to receipt of a claim by World Marketing of America, Inc. (“WMAI”) or an authorized dealer.

**WARRANTY CONDITIONS**

- This warranty only covers WMAI appliances that are purchased through an WMAI authorized retailer, dealer or distributor.
- This warranty is only valid while the WMAI appliance remains at the site of original installation. This warranty does not apply to products purchased for rental use.

**DUTIES OF THE OWNER:**

This heating appliance must be installed operated and maintained in accordance with the written instructions furnished with this heater. This warranty shall not excuse the owner from properly maintaining this heater in accordance with the written instructions furnished with this heater. A bill of sale, cancelled check or payment record must be kept to verify purchase date and establish warranty period.

**WHAT IS NOT COVERED:**

1. Damage caused by misuse or use contrary to the owner’s manual and safety guidelines.
2. Damage caused by a lack of normal maintenance.
3. Repair by an unauthorized person.
4. Damage caused by connection to an improper voltage.
5. Damaged caused by use outdoors.

**WARRANTY EXCLUSIONS**

This warranty does not cover the following:

- Damage to or changes in surface finishes as a result of normal use. As a heating appliance, some changes in color or interior and exterior surface finishes may occur. This is not a flaw and is not covered under warranty.
- Damage to printed, plated, or enameled surfaces caused by fingerprints, accidents, misuse, scratches, melted items, or other external sources and residues left on the plated surfaces from the use of abrasive cleaners or polishes.
- Minor expansion, contraction, or movement of certain parts causing noise. These conditions are normal and complaints related to this noise are not covered by this warranty.
- Damages resulting from: (1) failure to install, operate, or maintain the appliance in accordance with the installation instructions, operating instructions, and listing agent identification label furnished with the appliance; (2) failure to install the appliance in accordance with local building codes and/or authorities having jurisdiction; (3) shipping or improper handling; (4) improper operation, abuse, misuse, continued operation with damaged, corroded or failed components, accident, alteration, or improperly/incorrectly performed repairs; (5) environmental conditions, weather, inadequate ventilation, negative pressure, or drafting caused by tightly sealed constructions, insufficient make-up air supply, or handling devices such as exhaust fans or forced air furnaces or other such causes; (6) use of fuels other than those specified in the operating instructions; (7) installation or use of components not supplied with appliance or any other components not expressly authorized and approved by WMAI; (8) modification of the appliance not expressly authorized and approved by WMAI in writing; and/or (9) interruptions or fluctuations of electrical power supply to the appliance.
- Non-Certified venting components, hearth components or other accessories used in conjunction with the appliance.

- WMAI's obligation under this warranty does not extend to the appliance's capability to heat the desired space. Information is provided to assist the consumer and the dealer in selecting the proper appliance for the application. Consideration must be given to appliance location and configuration, environmental conditions, insulation and air tightness of the structure.
- Problems relating to smoking or creosote. Smoking is attributable to inadequate draft due to the design or installation of the flue system or installation of the heater itself. Creosote formation is largely attributable to improper operation of the unit and/or draft as mentioned above.
- Any cost associated with product removal and re-installation, travel, transportation, or shipping.
- Service calls to diagnose trouble (unless authorized in writing by the manufacturer, distributor, or dealer).

## THIS WARRANTY IS VOID IF

- The appliance has been over-fired or operated in atmospheres contaminated by chlorine, fluorine, or other damaging chemicals. Over-firing can be identified by, but not limited to, warped plates or tubes, rust colored cast iron, bubbling, cracking and discoloration of steel or enamel finishes.
- The appliance is subjected to prolonged periods of dampness or condensation.
- There is any damage to the appliance or other components due to water or weather damage which is the result of, but not limited to, improper chimney or venting installation.

## LIMITATIONS OF LIABILITY

The owner's exclusive remedy and WMAI's sole obligation under this warranty, under any other warranty, express or implied, or in contract, tort or otherwise, shall be limited to replacement, repair, or refund, in WMAI's sole and absolute discretion. In no event will WMAI be liable for any incidental or consequential damages. THE LIMITED WARRANTY SET FORTH HEREIN IS THE SOLE WARRANTY PROVIDED TO PURCHASER AND IS IN LIEU OF ALL OTHER WARRANTIES AND REPRESENTATIONS, EXPRESS OR IMPLIED. WMAI MAKES NO REPRESENTATIONS OR WARRANTIES WHATSOEVER, EXPRESS OR IMPLIED, WITH RESPECT TO THE PRODUCT, OTHER THAN (i) THE LIMITED WARRANTY ABOVE, AND (ii) ANY IMPLIED WARRANTIES IMPOSED BY APPLICABLE LAW WHICH CANNOT BE WAIVED OR DISCLAIMED UNDER APPLICABLE LAW. ALL OTHER WARRANTIES OF ANY KIND, INCLUDING WITHOUT LIMITATION IMPLIED WARRANTIES OF MERCHANTABILITY AND FITNESS FOR A PARTICULAR PURPOSE, ARE HEREBY DISCLAIMED AND EXCLUDED TO THE FULLEST EXTENT NOT PROHIBITED BY APPLICABLE LAW. This Limited Warranty gives the purchaser specific legal rights; a purchaser may have other rights depending upon where he or she resides. Some states do not allow the exclusion or limitation of special, incidental or consequential damages, or state law may affect the duration of limitations, so the above exclusion and limitations may not be applicable.

## WARRANTOR

The warrantor of record is **World Marketing of America, Inc. PO Box 192 Mill Creek, PA 17060 (800)-776-9425** Register your product on line at [www.worldmkting.com](http://www.worldmkting.com). Save your proof of purchase, as documented in a receipt or invoice, with your records for any claims.

## CLAIM PROCEDURE

Contact World Marketing of America, Inc. for warranty service. You will be asked to provide detailed descriptions and pertinent data, including model number, serial number and proof of purchase which will be returned upon request. Providing the heater has been installed and used in accordance with the Owner's Manual supplied with the heater and the issue does not fall under a situation of exclusion, World Marketing of America, Inc. will at its sole option:

- Replace the defective part free of charge. Parts and/or service replacements made under the terms of this warranty are warranted only for the remaining period of the original heater warranty.
- Replace the heater free of charge. Should the heater be replaced by World Marketing of America, Inc. "free of charge", all further warranty obligations are thereby met.
- Where the defect is of a cosmetic (non-functional) nature, World Marketing of America, Inc. will bear reasonable expense to repair the heater, including such items as welding, painting, and incidental labor. A "reasonable expense" is defined by terms of this warranty as \$30.00/hour with full refund for any purchase of parts.

## FOR ASSISTANCE

**PLEASE CONTACT WORLD MARKETING OF AMERICA, INC:**

**1-800-776-9425 M-F 9:00AM TO 4:30PM EST**

**TECH SUPPORT: [info@worldmkting.com](mailto:info@worldmkting.com)**

**CUSTOMER SUPPORT: [info@yourheater.com](mailto:info@yourheater.com)**









**POUR OBTENIR DU SOUTIEN :**  
**VEUILLEZ COMMUNIQUER AVEC WORLD MARKETING OF**  
**AMERICA, INC. : 1 800 776-9425 DE 9 H À 16 H 30 HNE**  
**SOUTIEN TECHNIQUE : info@worldmarketing.com**  
**SERVICE À LA CLIENTÈLE : info@yourheater.com**

- L'obligation de WMAI en vertu de cette garantie ne s'étend pas à la capacité de l'appareil à chauffer l'espace désiré. Les renseignements fournis pour aider le consommateur et le détaillant à choisir l'appareil approprié pour l'utilisation. Il faut tenir compte de l'emplacement de l'appareil et de la configuration, des conditions environnementales, de l'isolation et de l'étanchéité à l'air de la structure.
  - Problèmes liés à la fumée ou à la créosote. La fumée est attribuable à un tirage inadéquat en raison de la conception ou de l'installation du système de cheminée ou de l'installation de l'appareil de chauffage lui-même. La formation de créosote est en grande partie attribuable au mauvais fonctionnement de l'unité et/ou au tirage, tel que mentionné ci-dessus.
  - Tout coût associé à l'enlèvement et à la réinstallation du produit, au déplacement, au transport ou à l'expédition.
  - Les demandes de service pour diagnostiquer un problème (sauf autorisation écrite du fabricant, du distributeur ou du détaillant).
- CETTE GARANTIE EST NULLE DANS LES CAS SUIVANTS :**
- L'appareil a été surchauffé ou utilisé dans des atmosphères contaminées par du chlore, du fluor ou d'autres produits chimiques nocifs. La surchauffe peut être identifiée par les éléments suivants, sans s'y limiter : les plaques ou les tubes déformés, la fonte de couleur rouille, le bouillonnement, la fissuration et la décoloration des finitions en acier ou en email.
  - L'appareil est soumis à des périodes prolongées d'humidité ou de condensation.
  - Il y a des dommages à l'appareil ou à d'autres composants en raison de dommages causés par l'eau ou les intempéries, qui résultent, sans s'y limiter, d'une mauvaise installation de la cheminée ou de la ventilation.
- LIMITES DE RESPONSABILITÉ**
- Le recours exclusif du propriétaire et l'obligation exclusive de WMAI en vertu de la présente garantie ou de toute autre garantie, expresse ou implicite, ou selon le droit contractuel, des délits ou autre, se limitent au remplacement, à la réparation ou au remboursement, à la seule et absolue discrétion de WMAI. WMAI ne sera dans aucun cas responsable de tout dommage accessoire ou consécutif. LA GARANTIE LIMITÉE ÉNONCÉE AUX PRÉSENTES EST LA SEULE GARANTIE OFFERTE À L'ACHÉTEUR ET REMPLACE TOUTES LES AUTRES GARANTIES ET DÉCLARATIONS, EXPRESSES OU IMPLICITES. WMAI NE FAIT AUCUNE DÉCLARATION ET N'OFFRE AUCUNE GARANTIE DE QUELQUE NATURE QUE CE SOIT, EXPRESSE OU IMPLICITE, À L'ÉGARD DU PRODUIT, AUTRE QUE (i) LA GARANTIE LIMITÉE CI-DESSUS; (ii) TOUTE GARANTIE IMPLICITE IMPOSÉE PAR LA LOI APPLICABLE QUI NE PEUT FAIRE L'OBJET D'UNE RENONCIATION SELON LA LOI APPLICABLE. TOUTES LES AUTRES GARANTIES DE QUELQUE NATURE QUE CE SOIT, Y COMPRIS, SANS S'Y LIMITER, LES GARANTIES IMPLICITES DE QUALITÉ MARCHANDE ET D'ADÉQUATION À UN USAGE PARTICULIER, SONT REJETÉES ET EXCLUES PAR LES PRÉSENTES DANS TOUTE LA MESURE QUI N'EST PAS INTERDITE PAR LA LOI APPLICABLE. La présente garantie limitée donne
- à l'acheteur des droits juridiques précis : l'acheteur peut avoir d'autres droits selon son lieu de résidence. Certains États n'autorisent pas l'exclusion ou la limitation des dommages spéciaux, accessoires ou consécutifs, ou la loi de l'État peut influencer sur la durée des limitations, de sorte que l'exclusion et les limitations ci-dessus peuvent ne pas s'appliquer.

**GARANT**

Le garant aux présentes est **World Marketing of America, inc., P. 192, Mill Creek, PA 17060 800 776-9425** Enregistrez votre produit en ligne à l'adresse **www.worldmarketing.com**. Sauvegardez votre preuve d'achat, telle que documentée dans un reçu ou une facture, dans vos dossiers pour la réclamation, le cas échéant.

#### PROCÉDURE DE RÉCLAMATION

- Communiquez avec World Marketing of America, inc., pour présenter une réclamation en garantie. On vous demandera de fournir des descriptions détaillées et des données pertinentes, y compris le numéro de modèle, le numéro de série et la preuve d'achat, qui vous sera retournée sur demande. Sous réserve de l'installation et de l'utilisation de l'appareil de chauffage conformes au manuel du propriétaire fourni et pourvu que le problème ne relève pas d'une situation d'exclusion, World Marketing of America, inc., à sa seule discrétion, prendra l'une des mesures suivantes :
- Remplacer gratuitement la pièce défectueuse. Les pièces fournies au titre d'un remplacement ou les services effectués en vertu de la présente garantie ne sont garantis que pour la période restante de la garantie d'origine de l'appareil de chauffage.
- Remplacer l'appareil de chauffage gratuitement. Si l'appareil de chauffage est remplacé par World Marketing of America, inc., « gratuitement », toutes les autres obligations de garantie sont ainsi respectées.
- Lorsque le défaut de nature esthétique (non fonctionnelle), World Marketing of America, inc., assumera des frais raisonnables pour réparer l'appareil de chauffage, y compris des éléments comme le soudage, la peinture et la main-d'œuvre accessoire. Une « dépense raisonnable » est définie par les termes de la présente garantie comme 30,00 \$/heure avec remboursement complet pour tout achat de pièces.





**POUR OBTENIR DU SOUTIEN :**  
**VEUILLEZ COMMUNIQUER AVEC WORLD MARKETING OF**  
**AMERICA, INC. : 1 800 776-9425 DE 9 H À 16 H 30 HNE**  
**SOUTIEN TECHNIQUE : info@worldmarketing.com**  
**SERVICE À LA CLIENTÈLE : info@yourheater.com**

- L'obligation de WMAL en vertu de cette garantie ne s'étend pas à la capacité de l'appareil à chauffer l'espace désiré. Les renseignements fournis pour aider le consommateur et le détaillant à choisir l'appareil approprié pour l'utilisation. Il faut tenir compte de l'emplacement de l'appareil et de la configuration, des conditions environnementales, de l'isolation et de l'étanchéité à l'air de la structure.
- Problèmes liés à la fumée ou à la créosote. La fumée est attribuable à un tirage inadéquat en raison de la conception ou de l'installation du système de cheminée ou de l'installation de l'appareil de chauffage lui-même. La formation de créosote est en grande partie attribuable à de mauvais fonctionnements de l'unité et/ou au tirage, tel que mentionné ci-dessus.
- Tout coût associé à l'enlèvement et à la réinstallation du produit, au déplacement, au transport ou à l'expédition.
- Les demandes de service pour diagnostiquer un problème (sauf autorisation écrite du fabricant, du distributeur ou du détaillant).

#### CETTE GARANTIE EST NULLE DANS LES CAS SUIVANTS :

- L'appareil a été surchauffé ou utilisé dans des atmosphères contaminées par du chlore, du fluor ou d'autres produits chimiques nocifs. La surchauffe peut être identifiée par les éléments suivants, sans s'y limiter : les plaques ou les tubes déformés, la fonte de couleur rouille, le bouillonnement, la fissuration et la décoloration des finitions en acier ou en email.
- L'appareil est soumis à des périodes prolongées d'humidité ou de condensation.
- Il y a des dommages à l'appareil ou à d'autres composants en raison de dommages causés par l'eau ou les intempéries, qui résultent, sans s'y limiter, d'une mauvaise installation de la cheminée ou de la ventilation.

#### LIMITES DE RESPONSABILITÉ

Le recours exclusif du propriétaire et l'obligation exclusive de WMAL en vertu de la présente garantie ou de toute autre garantie, expresse ou implicite, ou selon le droit contractuel, des délits ou autre, se limitent au remplacement, à la réparation ou au remboursement, à la seule et absolue discrétion de WMAL. WMAL ne sera dans aucun cas responsable de tout dommage accessoire ou consécutif. LA GARANTIE LIMITÉE ÉNONCÉE AUX PRÉSENTES EST LA SEULE GARANTIE OFFERTE À L'ACHÉTEUR ET REMPLACE TOUTES LES AUTRES GARANTIES ET DÉCLARATIONS, EXPRESSES OU IMPLICITES. WMAL NE FAIT AUCUNE DÉCLARATION ET N'OFFRE AUCUNE GARANTIE DE QUELQUE NATURE QUE CE SOIT, EXPRESSE OU IMPLICITE, À L'ÉGARD DU PRODUIT, AUTRE QUE (i) LA GARANTIE LIMITÉE CI-DESSUS; (ii) TOUTE GARANTIE IMPLICITE IMPOSÉE PAR LA LOI APPLICABLE QUI NE PEUT FAIRE L'OBJET D'UNE RENONCIATION SELON LA LOI APPLICABLE. TOUTES LES AUTRES GARANTIES DE QUELQUE NATURE QUE CE SOIT, Y COMPRIS, SANS S'Y LIMITER, LES GARANTIES IMPLICITES DE QUALITÉ MARCHANDE ET D'ADÉQUATION À UN USAGE PARTICULIER, SOIT REJETÉES ET EXCLUES PAR LES PRÉSENTES DANS TOUTE LA MESURE QUI N'EST PAS INTERDITE PAR LA LOI APPLICABLE. La présente garantie limitée donne à l'acheteur des droits juridiques précis : l'acheteur peut avoir d'autres droits selon son lieu de résidence. Certains États n'autorisent pas l'exclusion ou la limitation des dommages spéciaux, accessoires ou consécutifs, ou la loi de l'État peut influencer sur la durée des limitations, de sorte que l'exclusion et les limitations ci-dessus peuvent ne pas s'appliquer.

#### GARANT

Le garant aux présentes est **World Marketing of America, inc., P. 192, Mill Creek, PA 17060 800 776-9425** Enregistrez votre produit en ligne à l'adresse **www.worldmarketing.com**. Sauvegardez votre preuve d'achat, telle que documentée dans un reçu ou une facture, dans vos dossiers pour la réclamation, le cas échéant.

#### PROCÉDURE DE RÉCLAMATION

Communiquez avec World Marketing of America, inc., pour présenter une réclamation en garantie. On vous demandera de fournir des descriptions détaillées et des données pertinentes, y compris le numéro de modèle, le numéro de série et la preuve d'achat, qui vous sera retournée sur demande. Sous réserve de l'installation et de l'utilisation de l'appareil de chauffage conformes au manuel du propriétaire fourni et pourvu que le problème ne relève pas d'une situation d'exclusion, World Marketing of America, inc., à sa seule discrétion, prendra l'une des mesures suivantes :

- Remplacer gratuitement la pièce défectueuse. Les pièces fournies au titre d'un remplacement ou les services effectués en vertu de la présente garantie ne sont garantis que pour la période restante de la garantie d'origine de l'appareil de chauffage.
- Remplacer l'appareil de chauffage gratuitement. Si l'appareil de chauffage est remplacé par World Marketing of America, inc., gratuitement, toutes les autres obligations de garantie sont ainsi respectées.

Lorsque le défaut de nature esthétique (non fonctionnelle), World Marketing of America, inc., assumera des frais raisonnables pour réparer l'appareil de chauffage, y compris des éléments comme le soudage, la peinture et la main-d'œuvre accessoire. Une « dépense raisonnable » est définie par les termes de la présente garantie comme 30,00\$/heure avec remboursement complet pour tout achat de pièces.

**Garantie limitée**  
*Comfort Glow* (poêles à bois et à granulés)

Période de garantie		2 ans à compter de la date d'achat	
Composants	Main-Granulé	Bois	Composants en fonte, revêtements en acier, dispositifs de retenue, joints, briques réfractaires et tous les composants électriques. Toutes les pièces, y compris les poignées, les composants externes émaillés et tout autre matériel, sauf dans les situations prévues dans les conditions de garantie, les exclusions de garantie et les limitations de garantie indiquées.
Composants couverts par la garantie		Composants couverts par la garantie	

Le fonctionnement de cet appareil d'une manière incompatible avec le manuel du propriétaire annule la garantie et constitue également à la réglementation fédérale, World Marketing of America, inc., garantit que ce produit est exempt de défauts de matériaux et de fabrication à l'acheteur de détail initial seulement et pour la période indiquée ci-dessus, mesurée à partir de la date de l'achat initial telle qu'elle figure sur une facture, un chèque annulé, un reçu de vente, etc., jusqu'à la réception d'une réclamation par World Marketing of America, inc., (« WMAI ») ou par un revendeur autorisé.

**CONDITIONS DE GARANTIE**

- Cette garantie couvre uniquement les appareils électroménagers de WMAI achetés auprès d'un détaillant, d'un revendeur ou d'un distributeur autorisé de WMAI.
- Cette garantie est valide uniquement tant que l'appareil WMAI demeure sur le site d'installation d'origine. Cette garantie ne s'applique pas aux produits achetés à des fins de location.

**RESPONSABILITÉS DU PROPRIÉTAIRE :**

Cet appareil de chauffage doit être installé, utilisé et entretenu conformément aux instructions écrites fournies avec l'appareil. Cette garantie n'exonère pas le propriétaire de devoir entretenir correctement cet appareil de chauffage conformément aux instructions écrites fournies avec celui-ci. L'acte de vente, un chèque annulé ou un relevé de paiement doit être conservé pour vérifier la date d'achat et établir la période de garantie.

**CE QUI N'EST PAS COUVERT :**

1. Les dommages causés par une mauvaise utilisation ou une utilisation contraire au manuel du propriétaire et aux directives de sécurité.
2. Les dommages causés par un manque d'entretien normal.
3. Les réparations par une personne non autorisée.
4. Les dommages causés par le raccordement à une tension incorrecte.
5. Les dommages causés par l'utilisation à l'extérieur.

**EXCLUSIONS AU TITRE DE LA GARANTIE**

Cette garantie ne couvre pas les éléments suivants :

- Les dommages ou la modification des finitions de surface à la suite d'une utilisation normale. En tant qu'appareil de chauffage, certains changements de couleur ou de finition des surfaces intérieures et extérieures peuvent survenir. Il ne s'agit pas d'un défaut et n'est pas couvert par la garantie.
- Les dommages aux surfaces imprimées, plaquées ou émaillées causés par des empreintes digitales, des accidents, une mauvaise utilisation, des égratignures, des articles fondus ou d'autres sources externes, et les résidus laissés sur les surfaces plaquées résultant de l'utilisation de nettoyeurs ou de vernis abrasifs.

- L'expansion, la contraction ou le mouvement mineur de certaines pièces causant du bruit. Ces conditions sont normales et les plaintes liées à ces bruits ne sont pas couvertes par cette garantie.

- Les dommages résultant des éléments suivants : (1) le défaut d'installer, d'utiliser ou d'entretenir l'appareil conformément aux instructions d'installation, aux instructions d'utilisation et à l'étiquette d'identification de l'agent d'inscription fournie avec l'appareil; (2) le défaut d'installer l'appareil conformément aux codes du bâtiment locaux et/ou aux autorités compétentes; (3) l'expédition ou de la manipulation inappropriée; (4) l'utilisation incorrecte, l'abus, la mauvaise utilisation et l'utilisation continue de composants endommagés, corrodés, défectueux ou ayant subi un accident, une altération ou des réparations mal effectuées; (5) les conditions environnementales, les conditions météorologiques, la ventilation inadéquate, la pression négative ou les courants d'air causés par des constructions hermétiquement étanches, une alimentation en air d'appoint insuffisante ou des dispositifs de maintenance comme des ventilateurs d'échappement ou des appareils de chauffage à air pulsé ou d'autres causes semblables; (6) l'utilisation de combustibles autres que ceux précisés dans le mode d'emploi; (7) l'installation ou l'utilisation de composants non fournis avec l'appareil ou d'autres composants non expressément autorisés et approuvés par WMAI; (8) la modification de l'appareil non expressément autorisée et approuvée par WMAI par écrit; (9) l'interruption ou la fluctuation de l'alimentation électrique de l'appareil.
- Les composants de ventilation non certifiés, les composants de foyer ou d'autres accessoires utilisés conjointement avec l'appareil.

Il est recommandé que votre système de chauffage est desservi régulièrement et que le Service Intervall enregistré approprié est terminée.

**FOURNISSEUR DE SERVICES**

Avant de terminer l'enregistrement de service approprié ci-dessous, s'il vous plaît vous assurer que vous avez effectué le service tel que décrit dans les instructions du fabricant. Toujours utiliser pièce de rechange indiquée par le fabricant lors de remplacement est nécessaire.

<b>Service de 01</b> Date: _____ Nom de l'ingénieur: _____ N° de licence: _____ Compagnie: _____ N° de téléphone: _____ Poêle Inspecté: <input type="checkbox"/> Cheminée balayée: <input type="checkbox"/> Articles Remplacé: _____	<b>Service de 02</b> Date: _____ Nom de l'ingénieur: _____ N° de licence: _____ Compagnie: _____ N° de téléphone: _____ Poêle Inspecté: <input type="checkbox"/> Cheminée balayée: <input type="checkbox"/> Articles Remplacé: _____
---	---

<b>Service de 03</b> Date: _____ Nom de l'ingénieur: _____ N° de licence: _____ Compagnie: _____ N° de téléphone: _____ Poêle Inspecté: <input type="checkbox"/> Cheminée balayée: <input type="checkbox"/> Articles Remplacé: _____	<b>Service de 04</b> Date: _____ Nom de l'ingénieur: _____ N° de licence: _____ Compagnie: _____ N° de téléphone: _____ Poêle Inspecté: <input type="checkbox"/> Cheminée balayée: <input type="checkbox"/> Articles Remplacé: _____
---	---

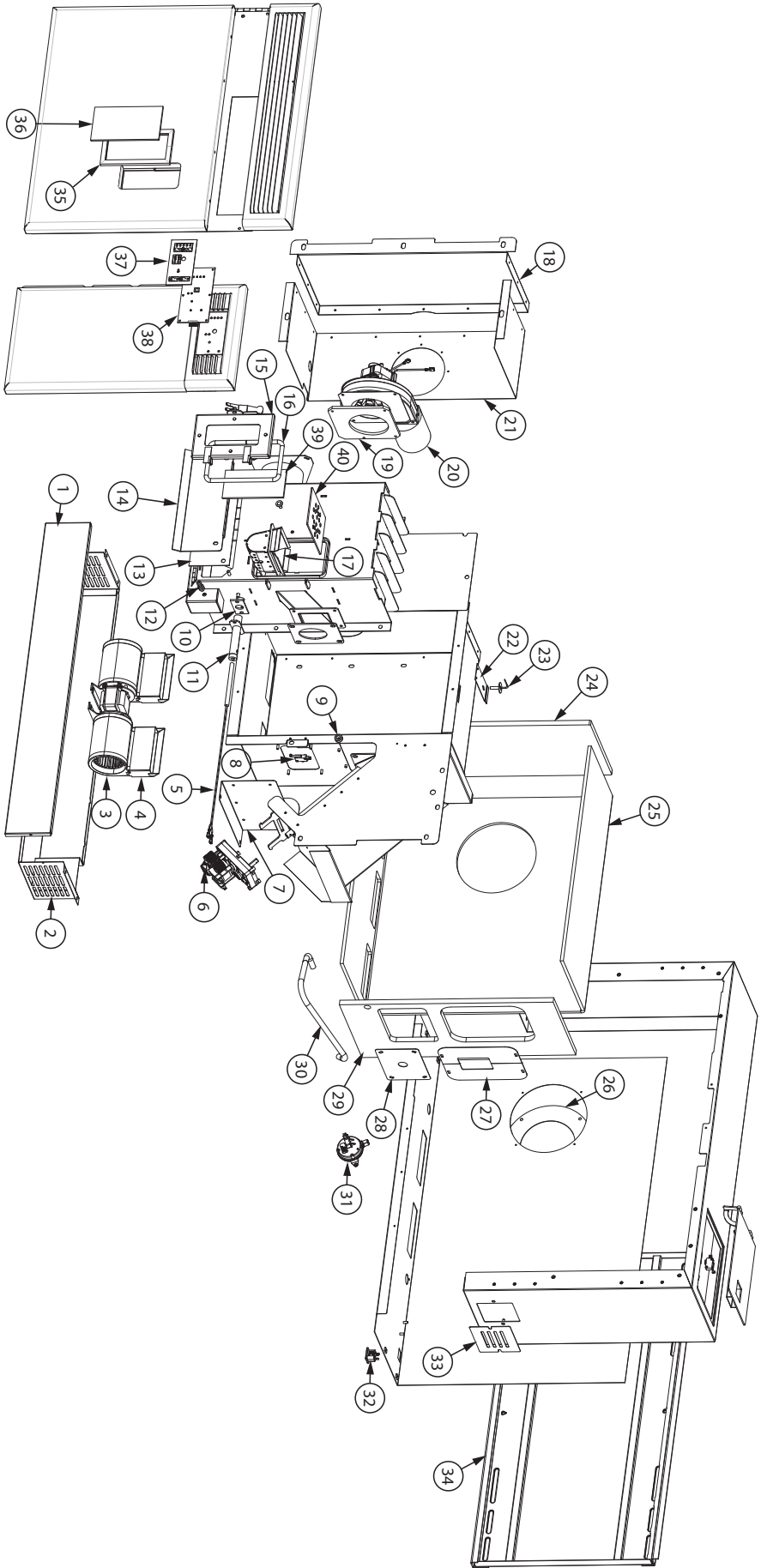
<b>Service de 05</b> Date: _____ Nom de l'ingénieur: _____ N° de licence: _____ Compagnie: _____ N° de téléphone: _____ Poêle Inspecté: <input type="checkbox"/> Cheminée balayée: <input type="checkbox"/> Articles Remplacé: _____	<b>Service de 06</b> Date: _____ Nom de l'ingénieur: _____ N° de licence: _____ Compagnie: _____ N° de téléphone: _____ Poêle Inspecté: _____ Cheminée balayée: _____ Articles Remplacé: _____
---	--

<b>Service de 07</b> Date: _____ Nom de l'ingénieur: _____ N° de licence: _____ Compagnie: _____ N° de téléphone: _____ Poêle Inspecté: <input type="checkbox"/> Cheminée balayée: <input type="checkbox"/> Articles Remplacé: _____	<b>Service de 08</b> Date: _____ Nom de l'ingénieur: _____ N° de licence: _____ Compagnie: _____ N° de téléphone: _____ Poêle Inspecté: <input type="checkbox"/> Cheminée balayée: <input type="checkbox"/> Articles Remplacé: _____
---	---

Ciè	Partie	La Description	Qté
1		Panneau De Boîtier De Ventilateur De Distribution	1
2		Boîtier De Ventilateur De Distribution	1
3		Souffleur Centrifuge Double 3" - 125 CFM	1
4		Ventilateurs De Salle Extenseurs	2
5		Cartouche D'allumeur	1
6		Moteur De Vis Sans Fin	1
7		Interrupteur De Pression / Support De Montage Pour Carte Pc	1
8		Ensemble Interrupteur De Porte	1
9		Aimant	1
10		Joint De Bride D'allumeur	1
11		Tube Allumeur	1
12		Mamelon De Tarière	1
13		Joint De Chambre De Combustion	1
14		Chambre Propre Porte De Combustion	1
15		Porte De La Chambre De Combustion	1
16		Joint De Chambre De Combustion	1
17		Soudure De Pot De Combustion	1
18		Panneau D'échappement Côté Droit	1
19		Joint Principal De Soufflante D'échappement	1

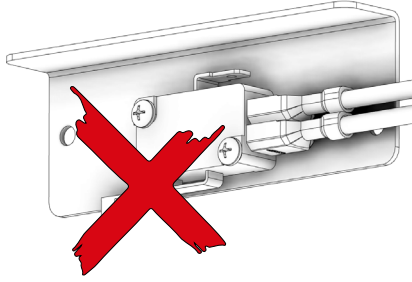
Ciè	Partie	La Description	Qté
20		Échappement - Ventilateur De 70 CFM	1
21		Panneau D'échappement, En Haut, En Bas Et À L'arrière	1
22		Support De Montage RTD	1
23		Platine RTD	1
24		Isolation De La Chambre Côté Gauche	1
25		Isolation De La Chambre Enveloppée	1
26		Bague De Beauté D'échappement / Admission	1
27		Couvercle Du Tube D'alimentation	2
28		Couvercle D'allumeur	1
29		Isolation Chambre Droite	1
30		Tuyau D'aspiration	1
31		Pressostat	1
32		Prise À 3 Broches	1
33		Couvercle D'accès À La Vis	1
34		Ensemble De Support De Montage Mural	1
35		Joint de fenêtre	1
36		Verre de visualisation de porte	1
37		Assemblage du clavier	1
38		Assemblage de la carte contrôleur	1
39		Verre de porte de chambre de combustion	1
40		Plaque anti-flamme	1

**AFIN DE MAINTENIR LA GARANTIE, LES COMPOSANTS DOIVENT ÊTRE REMPLACÉS À L'AIDE DE PIÈCES D'ORIGINE DU FABRICANT ACHETÉES PAR VOTRE REVENDEUR OU DIRECTEMENT AUPRÈS DU FABRICANT DE L'APPAREIL. L'UTILISATION DE COMPOSANTS TIERS ANNULERA LA GARANTIE.**

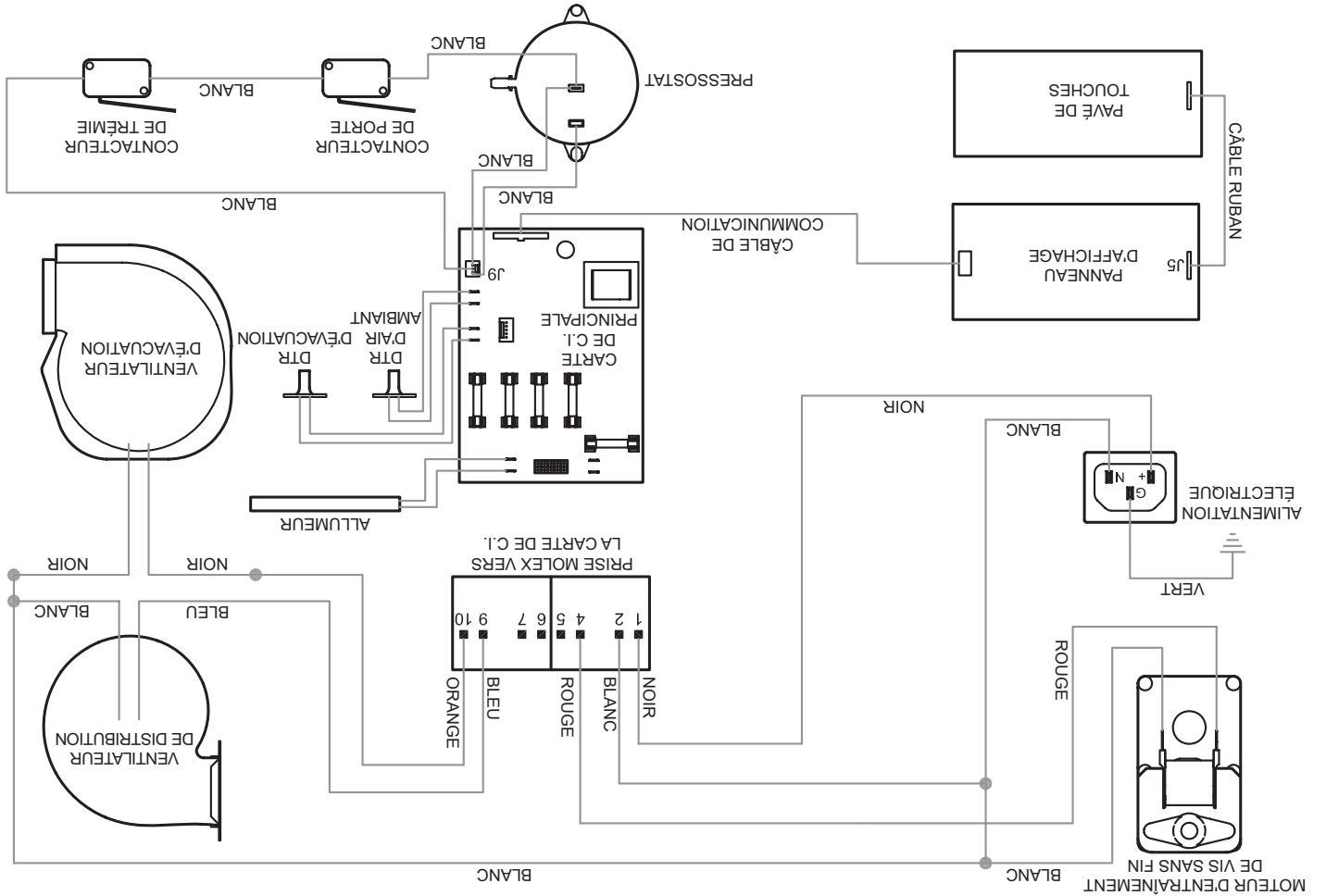
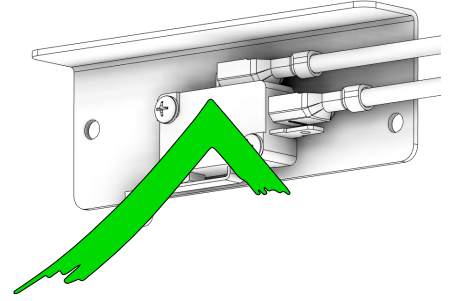


ASSUREZ-VOUS QUE LES FILS SONT  
CONNECTÉS AUX DEUX BROCHES  
INFÉRIEURES DE L'INTERRUPTEUR  
DE LA TRÉMIE, COMME ILLUSTRÉ.

MAL



CORRECTE





PROBLÈME	CAUSE :
L'entrée d'air, le pot de combustion, les chambres de combustion internes, les ventilateurs de combustion ou le conduit d'évacuation sont bouchés par des cendres ou des corps étrangers.	Suivez toutes les procédures de nettoyage de la section d'entretien du Manuel d'utilisation.
Le tuyau souple du pressostat ou les tuyaux de fixation au poêle pour le tuyau souple sont bouchés.	Débranchez le tuyau souple d'air du pressostat et soufflez dans le tuyau. Si l'air circule librement, le tuyau souple et le tube sont ouverts. Si l'air ne circule pas dans le tuyau souple, utilisez un cintre métallique pour le déboucher.
Le foyer n'est pas correctement étanche.	Vérifiez que la porte est fermée et que le joint est en bon état.
Le conduit d'évent est mal installé.	Vérifiez que l'installation du conduit d'évent satisfait aux critères du Manuel d'utilisation.
Les connexions du fil du pressostat sont défectueuses.	Vérifiez les connecteurs qui relient les fils au pressostat.
Panne du ventilateur de combustion.	Lorsque le poêle est en marche, vérifiez si le ventilateur de combustion est en fonctionnement. Sinon, vérifiez l'alimentation électrique du ventilateur de combustion. Ce doit être la tension nominale. Si l'alimentation électrique est bonne, c'est le ventilateur qui est défectueux.
Le tableau de commande n'envoie pas le courant au ventilateur de combustion.	Si l'alimentation électrique n'arrive pas au ventilateur de combustion, vérifiez toutes les connexions des fils électriques et le fusible. Si tous les fils sont bien connectés, c'est le tableau de commande qui est défectueux.
Le tableau de commande n'envoie pas le courant au pressostat.	Après 30 secondes de fonctionnement du poêle, la tension d'alimentation du pressostat doit atteindre environ 5 V.
Panne du pressostat.	Pour vérifier le fonctionnement du pressostat, débranchez le tuyau souple pneumatique du corps du poêle. L'autre extrémité restant branchée sur le pressostat, aspirez très doucement depuis l'extrémité libre du tuyau (vous pouvez débrancher entièrement le tuyau souple du poêle et du pressostat pour vérifier qu'il ne soit pas bouché). Si vous entendez un clic, c'est que le pressostat fonctionne. ATTENTION, UN VIDE TROP IMPORTANT PEUT ENDOMMAGER LE PRESSOSTAT !

**MISE EN GARDE:**

**CE CHAUFFE-BOIS A BESOIN D'INSPECTIONS ET DE RÉPARATIONS PÉRIODIQUES POUR UN FONCTIONNEMENT APPROPRIÉ. IL EST CONTRE LES RÉGLEMENTS FÉDÉRAUX DE FAIRE FONCTIONNER CE CHAUFFE À BOIS D'UNE MANIÈRE INCOMPATIBLE AVEC LES INSTRUCTIONS D'UTILISATION DE CE MANUEL.**

- Débranchez le cordon d'alimentation avant toute opération d'entretien ! REMARQUE : Le fait de placer le contacteur ON/OFF en position « OFF » ne coupe pas entièrement l'alimentation des composants électrique de l'appareil.
- Ne tentez jamais de réparer ou de remplacer une pièce de cet appareil de chauffage à moins que ce ne soit indiqué dans les instructions de ce manuel. Tous les autres travaux doivent être effectués par un technicien qualifié.

<p>PROBLÈME</p> <p>CAUSE : Mélange air/combustible trop riche.</p>	<p>Flamme orange faible, accumulation excessive de combustible dans le pot de combustion.</p> <p>Nettoyez le pot de combustion et l'arrière de la porte de nettoyage.</p> <p>Vérifiez que la porte de combustion soit fermée et bien étanche. Si ce n'est pas le cas, ajustez le cliquet de verrouillage de la porte et/ou remplacez les joints de porte.</p> <p>Vérifiez que l'évacuation doit dégagée de toute obstruction. Nettoyez si nécessaire.</p>
--	---

<p>PROBLÈME</p> <p>CAUSE : Le pot de combustion est vide de combustible.</p>	<p>Le feu s'éteint ou l'appareil s'arrête.</p> <p>Perte de la pression du flux d'air. Vérifiez que la porte de combustion soit fermée et bien étanche. Si ce n'est pas le cas, ajustez le cliquet de verrouillage de la porte et/ou remplacez les joints de porte. Vérifiez que l'évacuation doit dégagée de toute obstruction. Nettoyez si nécessaire.</p> <p>Vérifiez que la porte vitrée et le couvercle de la trémie soient complètement fermés. Le système de vis sans fin est bloqué ou il y a un « pont » de combustible dans la trémie, ce qui l'empêche de s'écouler dans le système d'alimentation à vis sans fin.</p>
--	--

<p>PROBLÈME</p> <p>CAUSE : L'allumeur automatique n'allume pas le combustible dans le pot de combustion.</p>	<p>L'appareil de chauffage n'allume pas le feu lorsqu'on appuie sur le bouton « ON ».</p> <p>Vérifiez la qualité des granulés. Remplacez-les s'ils sont humides, mouillés ou sales. combustion et ressayez.</p> <p>Mettez l'appareil en position « OFF ». Retirez le combustible non brûlé du pot de combustion et ressayez.</p> <p>Perte de la pression du flux d'air. Vérifiez que la porte de combustion soit fermée et bien étanche. Si ce n'est pas le cas, ajustez le cliquet de verrouillage de la porte et/ou remplacez les joints de porte. Vérifiez que l'évacuation doit dégagée de toute obstruction. Nettoyez si nécessaire.</p> <p>Vérifiez que l'allumeur automatique ne soit pas bloqué par de la cendre ou de la suie. (L'allumeur se trouve derrière le pot de combustion sur la paroi arrière du foyer.)</p> <p>L'allumeur automatique chauffe au rouge lors de la procédure de démarrage. Si vous ne voyez pas l'allumeur rougeoier au démarrage, il est possible qu'il doive être remplacé, ou qu'il y ait un problème du circuit de commande électrique.</p> <p>Vérifiez le bon alignement du pot de combustion et du tube de l'allumeur.</p>
--	---

<p>PROBLÈME</p> <p>CAUSE : L'appareil a atteint la seconde limite haute de surchauffe.</p>	<p>L'appareil passe en mode d'arrêt.</p> <p>Trop de combustible dans le pot de combustion. Redémarrez l'appareil après qu'il ait refroidi.</p> <p>Le capteur DTR de l'air ambiant est peut-être défectueux ce qui fait que le ventilateur ne se met pas en marche. Contactez votre revendeur.</p>
--	---

**ENTRETIEN ANNUEL**

Il est recommandé de faire entretenir et nettoyer l'appareil tous les ans par le concessionnaire agréé d'appareils de chauffage à granulés. Des frais peuvent être exigés pour ce service.

Tous les semaines ou mensuel	Toutes les semaines	Vide	Graver Pot
		Remué	Chambre de combustion
		Brossé	Cendres
		Vérifier	Chambres intérieur
		Vacuumed / brossé	Lames de ventilateur de combustion
		Vacuumed / brossé	Ventilateur de convection Impeller
		Nettoyé	Vent système
		Inspecté	Joints
		Essuyé / Nettoyé	Verre
		Vidé et aspirés	Hopper (fin de saison)
		Toutes les autres semaines	Echangeur de chaleur Tubes

**INSTRUCTIONS SPECIFIQUES AUX INSTALLATIONS CANADIENNES**

N'obstruez pas l'espace sous l'appareil de chauffage et n'obstruez pas les ouvertures d'air de combustion. Reportez-vous aux instructions du fabricant de la cheminée pour le démontage de la cheminée/ventilation pour le transport d'un bâtiment transportable. Les pièces ou matériaux à utiliser pour les protecteurs de braises et les surfaces minimales à couvrir et leur relation avec le radiateur d'appoint, ainsi que l'avis : « Au Canada, pour se conformer à la norme CSA B365, Code d'installation des appareils à combustible solide et équipement, tout revêtement combustible sous l'appareil et/ou dans la zone s'étendant horizontalement à au moins 450 mm (18 po) au-delà de l'appareil de tout côté équipé d'une porte, et à au moins 200 mm (8 po) au-delà de l'appareil de l'autre côté, doivent être protégés par un tampon continu, durable et incombustible qui fournira une protection contre les braises. La protection contre

les braises de 450 mm (18 po) requise de chaque côté avec une porte doit s'étendre sur toute la largeur de l'appareil plus les 200 mm (8 po) requis de chaque côté de l'appareil sans porte. Lorsqu'un appareil est installé à moins de 200 mm (8 po) d'un mur, le tampon de braises ne doit s'étendre que jusqu'à la base du mur. Un tampon de braises ne doit pas être placé sur un tapis à moins que le tampon ne soit structurellement soutenu pour empêcher le déplacement et la distorsion. Si cet appareil est installé dans un bâtiment transportable, le retrait de la cheminée/ventilation est requis pour le transport du bâtiment.

**NE PAS INSTALLER DANS UNE ALCOVE**

**NE PAS INSTALLER DANS AUCUN FOYER**

l'exposition aux gaz dans des endroits fermés ou clos peut être dangereuse. Assurez-vous que les joints d'étanchéité de votre poêle et les joints de la cheminée soient en bon état et qu'ils scellent correctement, évitant les expositions indésirables. Il est recommandé que vous utilisiez des détecteurs de fumée et de CO dans les zones où se trouve un potentiel de génération de CO.

## VÉRIFICATION ET NETTOYAGE DE LA TRÉMIE

Vérifiez périodiquement la trémie pour éliminer la sciure ou des granulés restés collés à la surface de la trémie. Nettoyez si nécessaire.

## JOINTS DE PORTE ET DE VITRE

**MISE EN GARDE:**

**NE FAITES PAS FONCTIONNER VOTRE CHAUFFAGE AVEC LA PORTE DE VISION OU DE COMBUSTION OUVERTE. LA TARIÈRE N'ALIMENTERA PAS DE GRANULÉS DANS CES CIRCONSTANCES ET UN PROBLÈME DE SÉCURITÉ PEUT PROVOQUER DES ÉTINGELLES OU DES FUMÉES ENTRANT DANS LA PIÈCE.**

Inspectez régulièrement les joints de la porte et du cendrier. Enlevez éventuellement ceux qui seraient effilochés, cassés, ou compactés pour les remplacer. Gardez les portes, le verre, et les joints de cendrier en bon état. La porte de cette unité utilise un joint de corde de 3/8po de diamètre.

## MOTEURS DES VENTILATEURS

Nettoyez tous les ans les orifices d'aération des moteurs des ventilateurs d'évacuation et de distribution. Retirez le ventilateur d'évacuation du conduit d'évacuation et nettoyez les pales du ventilateur dans le cadre des opérations de mise en marche en autonome.

## SURFACES PEINTES

Les surfaces peintes peuvent être essuyées avec un chiffon humide. Si des rayures apparaissent, ou si vous souhaitez rénover la peinture, adressez-vous au revendeur agréé qui vous fournira un bidon de peinture adaptée aux hautes températures.

## VERRE

Nettoyage - Nous recommandons d'utiliser un nettoyeur vitre de haute qualité. Si une accumulation de crésote ou de carbone s'accumule, vous pouvez utiliser 000 laines d'acier et de l'eau pour nettoyer le verre. NE PAS utiliser de nettoyeurs

abrasifs. NE PAS effectuer le nettoyage pendant que le verre est CHAUD. Dans le cas où vous devez remplacer le verre, Ne tentez pas de faire fonctionner l'appareil avec du verre cassé. Le verre de rechange peut être acheté auprès de votre revendeur de chauffage de salle de combustion de granulés de poêle aux États-Unis. Si le verre est cassé, suivez ces procédures de retrait:

1. Retirez les retenues et tout verre brisé ou joint d'étanchéité de la face d'étanchéité de la porte.
2. Installez un nouveau joint en verre.
3. Réinstallez les retenues pour maintenir le verre. Veillez à ne pas trop serrer les vis car cela pourrait endommager le verre.
4. Pour remplacer le verre de la porte d'observation, retirez l'arrière de la porte et l'isolant, puis procédez comme décrit pour le remplacement du verre de la porte du foyer.
5. NE PAS abuser du verre de la porte en frappant, en claquant ou en traumatisant similairement. N'utilisez pas le réchaud avec le verre enlevé, fissuré ou cassé.

## MISE EN MARCHÉ À L'AUTOMNE

Avant de démarrer le premier feu de la saison de chauffage, vérifiez que la zone à l'extérieur des circuits d'évacuation et d'admission d'air ne soit pas obstruée. Nettoyez et retirez les cendres volantes du circuit d'évacuation. Nettoyez tous les filtres du circuit d'évacuation et du tuyau d'entrée d'air extérieur. Activez toutes les commandes et vérifiez qu'elles fonctionnent correctement. C'est aussi le bon moment pour nettoyer à fond la totalité de l'appareil de chauffage.

## ARRÊT AU PRINTEMPS

Après la dernière flambe de printemps, retirez tous les granulés restants de la trémie et le système d'alimentation à vis sans fin. Ramassez les granulés à la pelle, puis faites tourner la vis sans fin jusqu'à ce que la trémie soit vide et que les granulés arrêtent de s'écouler. Passez l'aspirateur dans la trémie. Nettoyez soigneusement le pot de combustion et le foyer. Le circuit d'évacuation doit être soigneusement nettoyé. Si vous déposez l'appareil pour l'entreposer, rangez-le dans un endroit sec.

**NE JAMAIS FAIRE FONCTIONNER CE PRODUIT SANS SURVEILLANCE**

**ENLEVEMENT DES CENDRES**

Rétrez les cendres périodiquement pour éviter l'accumulation inutile de cendres. L'enlèvement des cendres est le suivant:

1. Laissez le feu brûler et autorisez l'unité à la température ambiante.
2. Nettoyez les tubes de l'échangeur de chaleur (voir la section Nettoyage de l'échangeur de chaleur) - Assurez-vous que le poêle à granulés est à température ambiante avant de toucher.
3. Ouvrez la porte du cendrier, retirez le pot de combustion et videz-le dans un récipient métallique.
4. Aspirer pour éliminer les cendres de la chambre de combustion.
5. ASSUREZ-VOUS QUE LES CELLULES SONT FRAÎCHES AU TOUCHER AVANT DE VACUUMER. Certains aspirateurs peuvent fuir des cendres dans la pièce. Votre aspirateur devrait avoir un filtre spécial ou un sac pour éliminer les fuites.
6. Retirer les cendres et jeter les cendres dans un récipient métallique.
7. Réinstallez le cendrier.
8. Réinstallez le pot de combustion.

**ÉLIMINATION DES CENDRES**

**MISE EN GARDE:**

**LES CENDRES DOIVENT ÊTRE JETÉES DANS UN RÉCIPIENT MÉTALLIQUE AVEC UN COUVERCLE FERMÉ. LE CONTENEUR DE CENDRES FERMÉ DOIT ÊTRE PLACÉ SUR UNE SURFACE NON COMBUSTIBLE OU AU SOL, BIEN À L'ÉCART DE TOUT MATÉRIEL COMBUSTIBLE, EN ATTENTE DE L'ÉLIMINATION FINALE.**

Les cendres doivent être placées dans un récipient métallique doté d'un couvercle hermétique. Le récipient à cendres fermé doit être déposé sur un sol en matériau non combustible ou à même la terre, bien à l'écart de tout matériau combustible, en attendant l'élimination définitive. Si vous éliminez les cendres en les enterrant ou en les dispersant localement, elles doivent demeurer dans un récipient fermé jusqu'à ce qu'elles soient complètement refroidies. Ne placez pas d'autres déchets dans le même récipient.

**DÉTECTEURS DE FUMÉE ET DE CO**

Le brûlage du bois produit naturellement des émissions de fumée et du monoxyde de carbone (CO). Le CO est un gaz poison lorsque l'exposition se fait à des concentrations élevées pour une période de temps prolongée. Bien que les systèmes de combustion modernes des chauffages réduisent de façon importante la quantité de CO émis par la cheminée,

**ATTENTION:**

- DÉBRANCHEZ LE CORDON D'ALIMENTATION AVANT D'EFFECTUER TOUT ENTRETIEN! REMARQUE: METTRE L'INTERRUPTEUR MARCHÉ / ARRÊT SUR «OFF» NE DÉBRANCHE PAS TOUTE L'ALIMENTATION
- NE DÉBRANCHEZ PAS LE CHAUFFAGE SI VOUS SUSPEZ UN DYSFONCTIONNEMENT. METTEZ L'INTERRUPTEUR MARCHÉ / ARRÊT SUR «OFF» ET CONTACTEZ VOTRE CONCESSIONNAIRE
- NE JAMAIS DÉACTIVER OU CONTOURNER LES DISPOSITIFS DE SÉCURITÉ DE CET APPAREIL. L'APPAREIL OU VOUS METTRE EN DANGER OU VOUS-MÊME.

**SYSTÈME D'ÉVACUATION**

Les produits de combustion contiennent des petites particules de cendres volantes. Les cendres volantes s'accumulent dans le système d'évacuation des gaz d'échappement et limitent la circulation des gaz brûlés. La combustion incomplète, comme pendant le démarrage, l'arrêt, ou un mauvais fonctionnement de l'appareil de chauffage entraîne la formation de suie ou de créosote qui s'accumule dans le circuit d'évacuation et pourrait entraîner un feu extrêmement chaud si elle venait à s'enflammer. C'est pourquoi il est important que le système d'évacuation soit inspecté et nettoyé au moins deux fois par mois pendant la période d'utilisation. Contactez les services municipaux ou locaux de lutte contre l'incendie pour savoir comment gérer un feu. Mettez en place un plan bien compris pour gérer un feu le cas échéant. Il faut entreprendre fréquemment le nettoyage ou l'inspection des zones situées derrière la porte de nettoyage avant pour réduire au minimum les cendres volantes ou l'accumulation de suie/de créosote.

**CHAMBRES INTÉRIEURES**

Sortez et nettoyez périodiquement le pot de combustion, la plaque déflecteur de flammes et les zones situées derrière la trappe de ramonage. En particulier, il est conseillé de nettoyer les orifices du pot de combustion pour éliminer toute accumulation susceptible d'empêcher l'air de circuler librement à l'intérieur. À titre de bonne pratique, vous devez sortir et nettoyer le pot de combustion chaque fois que vous redémarrerez l'appareil de chauffage, chaque semaine ou selon les besoins pour obtenir une efficacité maximale. Si vous utilisez un aspirateur pour nettoyer l'appareil de chauffage, nous vous suggérons d'utiliser un aspirateur conçu pour l'enlèvement des cendres. Certains aspirateurs normaux (aspirateurs d'atelier, par exemple) peuvent laisser s'échapper des cendres dans la pièce.

L'appareil de chauffage commence à distribuer le combustible et le ventilateur des gaz d'échappement (flux d'air) est en marche. À noter que le ventilateur d'évacuation est activé par impulsions. L'allumeur automatique enflammera le combustible dans environ 5-10 minutes. Pendant le processus de démarrage, le témoin « ON » clignote jusqu'à ce que l'appareil atteigne la température préétablie en usine. À ce moment, le témoin « ON » devient fixe et l'appareil commence à chauffer jusqu'à la plage de températures choisie. Le ventilateur d'air ambiant ne fonctionne pas jusqu'à ce que l'appareil ait atteint la température préétablie en usine. Tentez d'atteindre un taux de puissance calorifique dépassant les spécifications de conception du chauffage peut lui causer des dommages permanents.

## PROCÉDURE D'ARRÊT

<b>ATTENTION:</b>
<b>NE JAMAIS ARRÊTER CET APPAREIL EN LE DÉBRANCHANT DE LA SOURCE D'ALIMENTATION.</b>

Appuyez sur le bouton « OFF » du tableau de commande pour arrêter l'appareil de chauffage. À ce moment, le témoin lumineux rouge au-dessus de OFF clignote et le témoin « ON » s'éteint. La vis sans fin cesse de distribuer les granules, mais le ventilateur de distribution et le ventilateur d'évacuation continuent de fonctionner. Lorsque la température interne de l'appareil est inférieure à la température préétablie en usine, le ventilateur de distribution et le ventilateur d'évacuation cessent de fonctionner. Le témoin rouge s'éteint alors et l'appareil est complètement arrêté. Plus l'appareil est chaud pendant son fonctionnement, plus le cycle d'arrêt dure longtemps. Si l'appareil de chauffage reste allumé pendant plus d'une heure après l'appui sur le bouton « OFF » et que vous êtes sûr que le feu est éteint, vous pouvez débrancher l'appareil de la prise murale. Après environ 10 secondes, l'appareil peut être rebranché à la source d'alimentation ce qui réinitialise la carte de commande.

## FONCTIONNEMENT QUOTIDIEN

- Ne placez jamais la main près de la vis sans fin pendant le fonctionnement de l'appareil de chauffage.
- Cet appareil doit être rempli lorsque la hauteur de combustible dans la trémie est inférieure à 7,6 cm (3 pouces).
- L'appareil de chauffage ne fonctionne pas en cas de coupure de courant. L'une des actions suivantes se déroule si l'appareil était allumé lorsque la panne de courant s'est produite :

1. Si l'appareil est encore chaud, il reprendra l'alimentation en combustible et continuera à fonctionner normalement. Si le feu s'est éteint, vous devrez appuyer sur le bouton « OFF », puis sur le bouton « ON » pour déclencher une nouvelle séquence de démarrage.
2. Si l'appareil a refroidi, il est remis dans son état « OFF ». À ce stade, vous pouvez appuyer sur le bouton « ON » et l'appareil recommencera une nouvelle séquence de démarrage. Prenez l'habitude de vider le pot de combustion dans ces situations.

## COMMODITÉ

L'appareil intègre des commutateurs de sécurité qui permettent de s'assurer que tout est en bon état de fonctionnement avant l'envoi du combustible dans le pot de combustion. L'appareil de chauffage ne fonctionne pas si la porte de visualisation ou de combustion est laissée ouverte ; ou si le ventilateur d'évacuation tombe en panne ou si le système d'échappement est bloqué. Le détecteur de température à résistance (DTR), empêche l'appareil de chauffage de fonctionner à des températures anormalement élevées. L'appareil de chauffage comporte deux limites hautes de température. Lorsque l'appareil atteint la première limite, il réduit la consommation de combustible afin de réduire la température. Si l'appareil atteint la deuxième limite, il s'arrête et devra être redémarré. L'appareil de chauffage comprend également un allumeur automatique en standard. L'utilisation d'autres matériaux de démarrage du feu (copeaux de bois, gel allume-feu, etc.) est inutile. En appuyant simplement sur le bouton « ON » du tableau de commande numérique, l'appareil de chauffage déclenche l'alimentation en combustible et démarre automatiquement dans les 5 minutes.

## PROCÉDURE DE DÉMARRAGE

### ATTENTION:

- N'UTILISEZ PAS DE PRODUITS CHIMIQUES OU DE FLUIDES POUR ALLUMER LE FEU; NE BRÛLEZ PAS DE DÉCHETS OU DE FLUIDES INFLAMMABLES TELS QUE DE L'ESSENCE, DU NAPHTA OU DE L'HUILE À MOTEUR.
- CHAUD EN FONCTIONNEMENT. GARDER LES VÊTEMENTS ET LES MEUBLES DES ENFANTS À L'ÉCART. LE CONTACT PEUT CAUSER DES BRÛLURES DE LA PEAU. NE TOUCHEZ PAS LES SURFACES CHAUDES DU CHAUFFAGE. ÉDUCUER TOUS LES ENFANTS SUR LES DANGERS D'UN CHAUFFAGE À HAUTE TEMPÉRATURE. LES JEUNES ENFANTS DOIVENT ÊTRE SURVEILLÉS LORSQU'ILS SE TROUVENT DANS LA MÊME PIÈCE QUE LE CHAUFFAGE.
- NE JAMAIS UTILISER D'ESSENCE, DE CARBURANT DE LANTERNE DE TYPE ESSENCE, DE KÉROSENE, DE LIQUIDE POUR BRIQUET AU CHARBON OU DE LIQUIDES SIMILAIRES POUR ALLUMER OU «RAFFRAÎCHIR» UN FEU DANS CE CHAUFFAGE. GARDER TOUTS CES LIQUIDES BIEN ÉLOIGNÉS DU CHAUFFAGE PENDANT SON UTILISATION.

N'utilisez jamais d'essence, de combustible à lanterne, de kérosène, de liquide allume-feu ou d'autres liquides similaires pour allumer ou raviver le feu dans cet appareil de chauffage. Gardez tous ces liquides éloignés de l'appareil lorsqu'il est en fonctionnement.

1. Vérifiez que la trémie soit propre et exempte de matières étrangères.
2. Remplissez la trémie de granulés de bois ; veillez à ce qu'aucun morceau du sac ni aucun autre corps étranger ne pénètre dans la trémie, car cela pourrait bloquer la vis sans fin.
3. Assurez-vous que tous les granulés soient évacués de la surface d'appui de la trémie.
4. Fermez le couvercle de la trémie. L'appareil NE DISTRIBUERA PAS LE COMBUSTIBLE si le couvercle de la trémie est ouvert.
5. Vérifiez qu'il n'y a pas de granulés de combustible, de cendre, ou de corps étrangers dans le pot de combustion avant de mettre l'appareil en marche.
6. Assurez-vous que la porte vitrée et la porte de combustion soient bien fermées (l'interrupteur de sécurité empêche l'appareil de distribuer le combustible si ces portes sont ouvertes).
7. Appuyez sur le bouton « ON » du tableau de commande et réglez l'appareil sur la « PLAGE de températures » souhaitée. Le témoin ON clignote et le témoin correspondant au réglage de température s'allume.

6. Matériaux contenant de l'amiante;

7. Débris de construction ou de démolition;

8. Traverses de voie ferrée ou bois traité sous pression;

9. Fumier ou restes d'animaux;

10. Bois de grève en eau salée ou autres matériaux précédemment saturés par de l'eau salée;

11. Bois non séché; ou

12. Produits du papier, carton, contreplaqué, ou panneau de particules. L'interdiction de brûlage de ces matériaux n'interdit pas l'utilisation d'allume-feu composés de papier, carton, sciure de bois, cire et substances similaires, aux fins de démarrer le feu dans un chauffage au bois modifié. Le brûlage de ces matériaux peut causer des émanations de fumées toxiques ou rendre le chauffage inefficace en raison de la fumée.

## PRÉPARATION DE L'APPAREIL

### MISE EN GARDE:

- GARDER LES OBJETS ÉTRANGERS HORS DE LA TRÉMIE.
- LES PIÈCES MOBILES DE CE CHAUFFAGE SONT PROPULSÉES PAR DES MOTEURS ÉLECTRIQUES À COUPLE ÉLEVÉ. GARDER TOUTES LES PIÈCES DU CORPS À L'ÉCART DE LA TARIÈRE PENDANT QUE LE CHAUFFAGE EST BRANCHÉ À UNE PRISE ÉLECTRIQUE. CES PIÈCES EN MOUVEMENT PEUVENT COMMENCER À DÉPLACER À TOUT MOMENT PENDANT QUE LE CHAUFFAGE EST BRANCHÉ.

Après avoir correctement installé votre appareil de chauffage, vous devrez d'abord brancher le cordon électrique sur le logement du ventilateur de droite ; puis branchez-le sur une prise de 110 volts (un protecteur de surtension en sortie est fortement recommandé).

## COMBUSTION INITIALE

Vous devez effectuer une combustion initiale dans cet appareil avant de l'installer dans votre maison ou dans le garage. Ce processus permet de vérifier que les appareils fonctionnent correctement, de durcir la peinture pour haute température et de brûler de l'huile présente sur les composants de tôle du foyer. Pour la combustion initiale, n'ajouter qu'une petite quantité de combustible, environ 4-5 lbs., ou à peu près le contenu d'une boîte de conserve de 1 kg. Faites fonctionner l'appareil sur le réglage de température 3 ou 4 pendant environ 30 minutes à une heure. L'appareil émettra probablement une petite quantité de fumées ou de vapeurs pendant cette opération. Suivez la procédure de démarrage ci-dessous pour commencer la combustion.

## NE JAMAIS FAIRE FONCTIONNER CE PRODUIT SANS SURVEILLANCE

### COMMENT FONCTIONNE L'APPAREIL DE

#### CHAUFFAGE

Cet appareil de chauffage à granulés fonctionne avec un système d'alimentation en combustible à vis sans fin et temporisateur commandé par une carte de circuit numérique. Le combustible est délivré par la vis sans fin dans un pot de combustion (le récipient où le processus de combustion a lieu). En fonction des différentes plages de la chaudière (1-5), l'appareil de chauffage va délivrer la quantité appropriée de combustible pour atteindre une plage de températures donnée. À noter que la quantité de chaleur produite par l'appareil de chauffage est proportionnelle à la vitesse de combustion du combustible. L'appareil de chauffage est équipé d'un système d'allumage automatique qui doit enflammer le combustible dans un délai de 5 à 10 minutes après l'appui sur le bouton ON. Au fur et à mesure que les granulés tombent dans le pot de combustion et s'enflamment, l'air extérieur est aspiré par un ventilateur de combustion pour alimenter le feu. Les gaz de postcombustion sont ensuite aspirés à travers l'échangeur de chaleur au fur et à mesure qu'il se déplace dans l'évacuation. Au fur et à mesure que l'appareil chauffe, l'air ambiant est brassé autour de l'échangeur de chaleur par un ventilateur qui redistribue l'air chaud dans la pièce. Du fait qu'une ventilation forcée est nécessaire au processus de combustion à l'intérieur de l'appareil, il est extrêmement important que le système d'évacuation soit correctement entretenu. Et, lorsque vous utilisez votre appareil de chauffage, vous devez vous assurer que les portes de visualisation et de combustion soient bien fermées et/ou étanches.

### PRÉSENTATION DU TABLEAU DE COMMANDE

La mise en marche et l'arrêt de l'appareil de chauffage, ainsi que le réglage du débit d'alimentation en combustible se font en appuyant sur le(s) bouton(s) approprié(s) du tableau de commande qui se trouve dans le coin inférieur gauche, à l'avant de l'appareil.

### ALLUMAGE/EXTINCTION

- L'appui sur le bouton « ON » du tableau de commande déclenche la séquence de démarrage de l'appareil. Le carburant est envoyé dans l'appareil par le système d'alimentation à vis sans fin, puis s'enflamme au bout de 5 minutes environ.

- L'appui sur le bouton « OFF » du tableau de commande déclenche la séquence d'arrêt de l'appareil. Le système d'alimentation en combustible arrête de distribuer le combustible depuis la trémie et, une fois le feu éteint et l'appareil de chauffage refroidi, le ventilateur s'arrête.

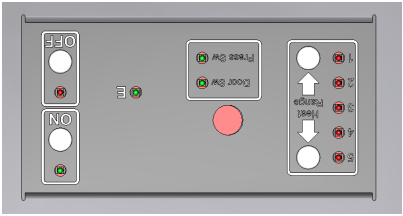
### PLAGE DE TEMPÉRATURES

#### PLAGE DE TEMPÉRATURES

- Appuyez sur les flèches « Heat Range » (Plage de températures), vers le haut ou le bas, pour ajuster la quantité de combustible envoyée dans le pot de combustion.
- Le ventilateur d'évacuation démarre. À noter que cet appareil rapporte l'air/combustible, et aussi pour faciliter le nettoyage du pot de combustion.
- Lorsque l'appareil atteint la température de consigne, le ventilateur d'air ambiant se met en marche.

### TÉMOINS LUMINEUX (À DEL)

- Témoin de plage de températures – affiche le réglage de température choisi. Le témoin Numéro « 1 » s'allume pour indiquer que l'appareil est sous tension, même s'il est éteint.
- Le témoin Door Sw – s'allume lorsque la porte de visualisation avant est ouverte ou lorsque le couvercle de la trémie est relevé.
- Le témoin Press Sw – s'allume si la pression baisse dans le foyer. (Voir « Erreurs »)
- Témoin E – Erreur de fonctionnement (Voir « Erreurs »)
- Témoin ON – Clignote pendant la séquence de démarrage. Fixe en mode de fonctionnement
- Témoin OFF – Clignote pendant la séquence d'arrêt.



#### ATTENTION:

**CET APPAREIL DE CHAUFFAGE EST CONÇU ET APPROUVÉ UNIQUEMENT POUR LE COMBUSTIBLE À GRANULES DE BOIS HAUT DE GAMME. TOUT AUTRE TYPE DE COMBUSTIBLE BRÛLÉ DANS CE CHAUFFAGE ANNULERA LA GARANTIE ET LA LISTE DE SÉCURITÉ.**

Le chauffage est conçu pour ne brûler que des granulés de classe supérieure PFI. Cet appareil peut aussi brûler des granulés de classe ordinaire après le 16 mai 2015. NE PAS BRÛLER :

- Des ordures;
- Des déchets de tonte ou résidus de jardin;
- Des matériaux contenant du caoutchouc, incluant les pneus;
- Matériaux contenant du plastique;
- Des déchets de produits du pétrole, des peintures ou diluants à peinture, ou des produits d'aspahalte;



Le kit d'extrémité carrée horizontal de 3 po x 5 po (35CVS-KUS) inclut :

- Adaptateur pour poêle de 3 po x 5 po
- Coffre carrée horizontale ajustable 35CVS-HZSQ
- Coupe-feu mural 35CVS-WT

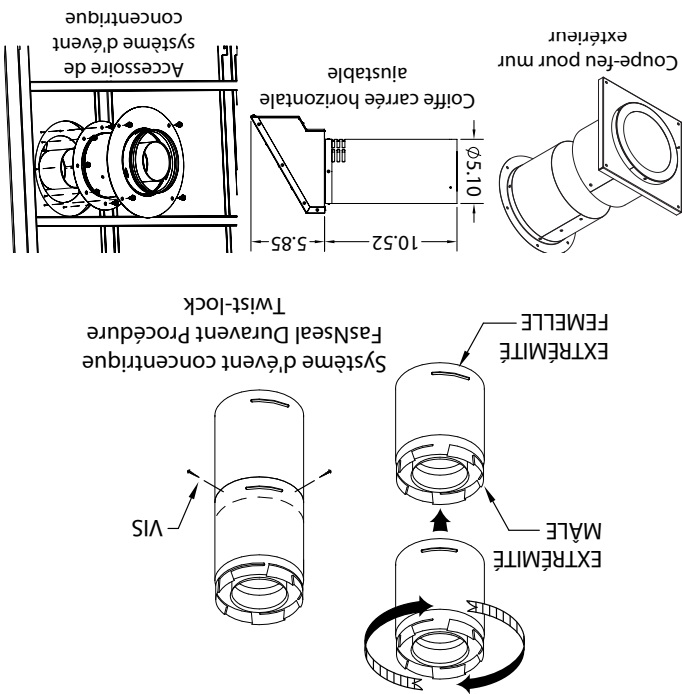
1. Les tuyaux et raccords DirectVent Pro comportent des raccords TwiSt-lock spéciaux. Un adaptateur d'appareil TwiSt-lock est nécessaire pour raccorder le système d'évent à la sortie du conduit de l'appareil. L'adaptateur sera fourni pour l'installation sur le site. Assemblez la combinaison souhaitée de sections et de coudes de conduit à l'adaptateur d'appareil.

Remarques :

- Procédures TwiSt-lock : Alignez les pattes de verrouillage des extrémités mâles et femelles des sections de conduit. Insérez l'extrémité mâle du conduit dans l'extrémité femelle jusqu'à ce que les pattes de verrouillage soient couvertes. Faites pivoter l'extrémité femelle dans le sens horaire d'un huitième de tour pour verrouiller les sections ensemble. Trois vis sont nécessaires pour immobiliser le joint, vérifiez qu'elles ne percent pas la paroi interne du conduit d'évent.

- Les sections horizontales du conduit d'évent doivent être soutenues pour les empêcher de se tasser. Les sections horizontales doivent être soutenues au moins tous les 4 pieds (132 cm). Pour cela, vous pouvez utiliser des sangles murales.
- Etanchéifiez tous les joints avec du silicone pour hautes températures.

2. L'adaptateur d'appareil et la section de conduit fixés à l'appareil, faites glisser l'appareil à l'emplacement correct, et marquez sur le mur l'emplacement d'un trou de la bonne taille. La ligne centrale du conduit doit être alignée sur le centre du trou. Coupez et encadrez le trou dans le mur extérieur à l'endroit où le conduit d'évent se terminera. Un coupe-feu mural est nécessaire.



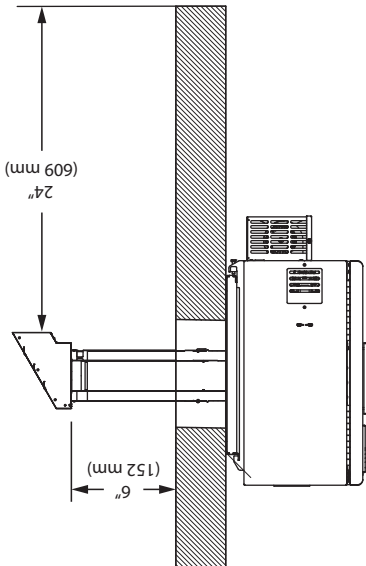
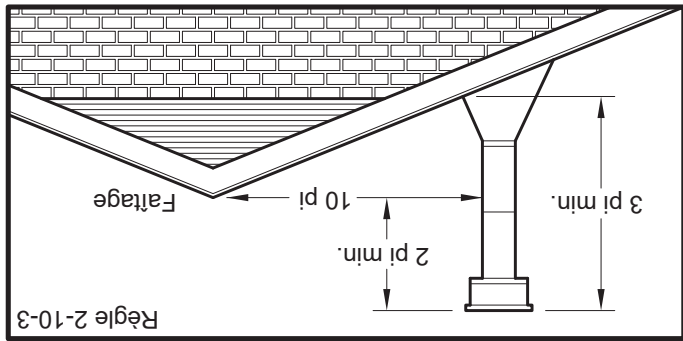
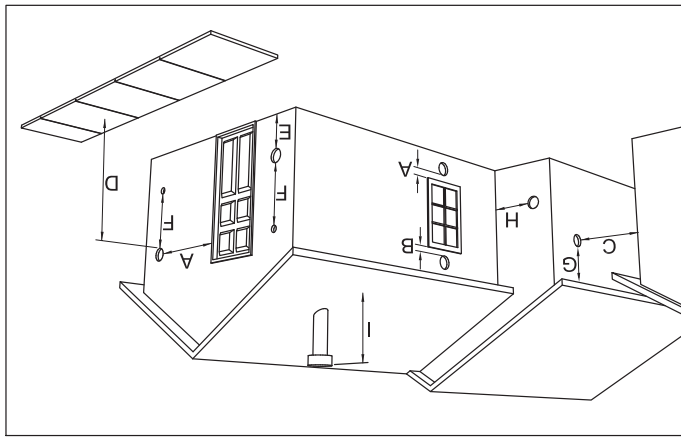
- L'emplacement de l'extrémité du conduit d'évent horizontal sur le mur extérieur doit satisfaire à toutes les réglementations locales et nationales concernant la construction et ne doit pas être facilement bloqué ou obstrué. Dégagements pour l'extrémité du conduit d'évacuation indiqués dans la section DÉGAGEMENTS POUR LA SORTIE DU SYSTÈME D'ÉVENT.
- La section horizontale du conduit doit être de niveau, ou s'élever de 1/4 po par pied de long jusqu'à l'extrémité. Le conduit ne doit jamais descendre. Toute pente descendant peut emprisonner la chaleur et créer un risque d'incendie.

Remarques :

- Après avoir découpé l'orifice et fixé le support de fixation au mur, vous pouvez suspendre l'appareil sur le support.
- Alignez l'orifice d'admission sur le trou du support mural et le coupe-feu mural, et insérez l'appareil de chauffage avec soin. Inclinez le haut de l'appareil de chauffage vers le mur et abaissez-le sur le support de fixation murale en veillant à ce que les supports gauche et droit fixés à l'appareil viennent s'accrocher sur le haut du support de fixation murale. Laissez l'appareil de chauffage de pivoter vers le bas et se positionner parallèlement au support de fixation murale. Soulevez l'appareil ; les crochets inférieurs viennent s'engager dans le support.
- Une fois que l'appareil est solidement accroché au support mural, il faut serrer les deux boulons de 7/16 po sur la partie inférieure du support afin de verrouiller l'appareil au support.
- Une fois que l'appareil est verrouillé, vous pouvez fixer le tuyau d'évacuation/d'admission à l'appareil à l'extérieur de la maison.

## DÉGAGEMENTS POUR LA SORTIE DU SYSTÈME D'ÉVENT

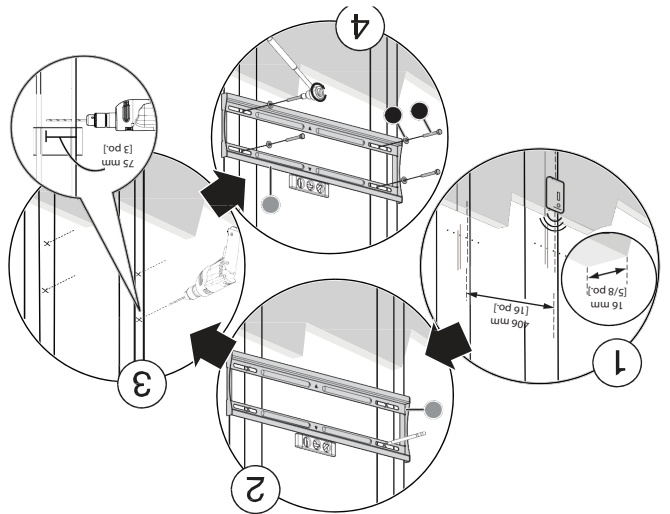
- Dégagement minimum 4 pi. (1,2 m) sous ou à côté de toute porte ou fenêtre ouvrante.
- Dégagement minimum de 1 pi. (0,3 m) au-dessus de toute porte ou fenêtre ouvrante.
- Dégagement minimum de 2 pi. (0,6 m) autour de toute bâtiment adjacent.
- Dégagement minimum de 7 pi. (2,1 m) au-dessus de tout passage public.
- Dégagement minimum de 2 pi. (0,6 m) au-dessus de toute plante, herbe ou autre matériau combustible.
- Dégagement minimum de 4 pi. (1,2 m) autour de l'entrée d'air forcée de tout appareil.
- Dégagement minimum de 2 pi. (0,6 m) sous les avancées de toiture ou surplombs.
- Dégagement minimum de 1 pi. (0,3 m) à l'horizontale de tout mur en matériau combustible.



**REMARQUE :** Cet appareil doit être installé de telle manière à ce que les gaz d'échappement soient dirigés de manière à ne pas constituer un risque pour les personnes, ne surchauffent pas structures combustibles, et ne pénètrent pas dans les bâtiments. Le conduit de raccordement de la cheminée ne doit pas passer par un grenier ou des combles sous toiture, un placard ou un autre espace fermé similaire, un plancher ou un plafond. En cas de passage à travers un mur ou une cloison en matériau combustible, l'installation doit être conforme à la norme CAN/CSA-B365, Code d'installation des appareils à combustibles solides et du matériel connexe.

**INSTALLATION INCORRECTE:**  
**LE FABRICANT NE SERA PAS TENU RESPONSABLE DES DOMMAGES CAUSÉS PAR LE MAUVAIS FONCTIONNEMENT D'UN CHAUFFAGE EN RAISON D'UNE MAUVAISE VENTILATION OU D'UNE INSTALLATION INCORRECTE.**

Une source d'air propre sera prévue si nécessaire. Pour ce faire, vérifiez que l'entrée d'air du système d'évent concentrrique est dégagée de toute obstruction pendant l'utilisation. Vous devez utiliser le système d'évent concentrrique FasNSeal Duravent conçu pour fonctionner avec cet appareil de World Marketing of America. **N'UTILISEZ PAS d'autres systèmes d'évacuation.**



- A. **Étape 1: Fixez la plaque murale**
- Remarque : Le matériau recouvrant le mur (les plaques de plâtre, par exemple) ne doit pas dépasser 16 mm [5/8 po.] d'épaisseur).
- Option 1 : Fixation sur un mur en bois boulonné**

- Localisez les montants dans le mur extérieur. Repérez le centre du montant avec un détecteur de montants bord à bord. Marquez le point central à une hauteur prédéterminée qui satisfasse à toutes les exigences de dégagement de l'appareil. Remarque : Assurez-vous que l'ouverture prévue pour le coupe-feu d'évacuation ne soit pas proche d'un montant mural avant de découper le trou.
- À la hauteur déterminée à l'étape précédente, placez un clou de taille moyenne dans le trou de forme triangulaire au centre de la plaque de fixation pour la maintenir en place pendant le marquage des emplacements des trous de fixation et d'évacuation/d'entrée d'air. Assurez-vous que la plaque de fixation murale soit en contact avec le mur, puis mettez-la de niveau et vérifiez que les avant-trous soient centrés correctement sur les montants du mur. Avec un crayon, marquez l'emplacement des avant-trous et de l'orifice d'admission/d'évacuation, puis retirez la plaque de fixation du mur.
- Percez les quatre avant-trous à une profondeur de 75 mm (2 po) avec un foret de 3,96 mm (5/32 po) de diamètre.
- Trouvez le centre du trou de passage du coupe-feu mural et percez un avant-trou dans toute l'épaisseur du mur jusqu'à l'extérieur avec une mèche d'installation. Utilisez ce trou comme point central pour découper l'orifice dans le mur extérieur.
- Découpez soigneusement l'orifice d'évacuation/admission dans toute l'épaisseur du mur jusqu'à l'extérieur (voir la section Dégagements Du Système D'évent Pour Vérifier La Bonne Installation)
- Installez le coupe-feu mural fourni avec le kit d'évent selon les instructions du fabricant.

- Réaliguez le montant mural sur les avant-trous et l'orifice d'évacuation/d'admission d'air. Insérez les quatre tirefonds de 1/4 po x 2 po avec des rondelles, et serrez les tirefonds jusqu'à ce que le support de fixation mural soit appliqué fermement contre le mur extérieur.

**ATTENTION:**

**ÉVITEZ LES BLESSURES OU DOMMAGES MATÉRIELS POTENTIELS! NE SERREZ PAS TROP LES BOULONS DE LAG. CELA POURRAIT POTENTIELLEMENT RAYER LES TROUS DE MONTAGE ET CAUSER LES BOULONS DE NE PAS TENIR CORRECTEMENT.**

**Option 2 : Montage sur un mur en béton ou en parpaings/blocs de béton.**

- Mettez de niveau la plaque murale et marquez l'emplacement des trous.
- À la hauteur déterminée à l'étape précédente, placez un petit clou dans le trou de forme triangulaire au centre du support et alignez la fixation murale sur le mur. Mettez le support de niveau et vérifiez que les avant-trous ne soient pas en face des joints entre les blocs de béton. Avec un crayon, marquez l'emplacement des avant-trous et de l'orifice d'admission/d'évacuation, puis retirez la plaque de fixation du mur.
- Percez les quatre avant-trous à une profondeur de 75 mm (2 po) avec un foret pour maçonnerie de 3,96 mm (5/32 po) de diamètre.
- Découpez soigneusement l'orifice d'évacuation/admission dans toute l'épaisseur du mur jusqu'à l'extérieur (voir la section Dégagements Du Système D'évent Pour Vérifier La Bonne Installation).
- Insérez les ancrages à béton de 1/4 po dans les avant-trous et vérifiez que les ancrages arrivent au ras de la surface du béton.
- Alignez la plaque murale sur les ancrages. Placez les rondelles sur les trous de vis de la plaque murale, insérez les tirefonds jusqu'à ce que les rondelles soient appuyées fermement contre la plaque murale et que la plaque murale elle-même soit appuyée fermement contre le mur extérieur.

**Étape : 2 Fixation de l'appareil de chauffage sur la plaque murale**

- Remarque : L'appareil de chauffage est lourd. Vous aurez besoin d'aide pour cette étape.
- Avant d'accrocher l'appareil sur le support mural, il faut fixer la pièce d'évacuation/d'admission à l'arrière de l'appareil. Du côté de l'évacuation de l'appareil se trouve un anneau qui est maintenu par quatre vis, il doit être retiré pour pouvoir installer la pièce intermédiaire. Utilisez les vis autotaraudées cruciformes fournies pour fixer la pièce intermédiaire. Une fois la pièce intermédiaire fixée, vous pouvez réinstaller l'anneau à l'extérieur de l'appareil.

- L'appareil de chauffage doit être fixé de manière permanente à la paroi.
- L'appareil de chauffage doit être mis à la terre sur le châssis d'acier de la maisons mobiles/bâtiments portatif en utilisant un fil de cuivre de 8 GA avec une rondelle striée ou en étoile pour attaquer la peinture ou le revêtement protecteur afin d'assurer une bonne mise à la masse.
- En cas de déplacement de la maisons mobiles/bâtiments portatif, toutes les sorties extérieures doivent être déposées pendant le déplacement. Après le déplacement, l'appareil de chauffage peut être réinstallé et solidement fixé.
- Vérifiez auprès de votre municipalité si d'autres réglementations sont applicables.

## REMARQUES GÉNÉRALES SUR L'INSTALLATION

- N'installez pas l'appareil de chauffage à un endroit où les gaz d'échappement arriveraient dans un puits de fenêtré ou une ouverture située au-dessous du niveau du sol.
- Des précautions spéciales peuvent être nécessaires pour prévenir l'accumulation de neige à moins de 30 cm (12 po) de l'entrée d'air.
- Les dégagements autour de l'appareil de chauffage doivent offrir suffisamment de place pour l'entretien, le nettoyage et la circulation de l'air.

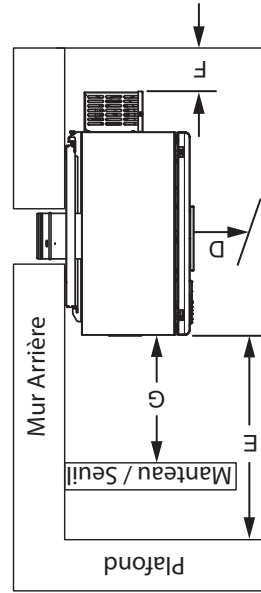
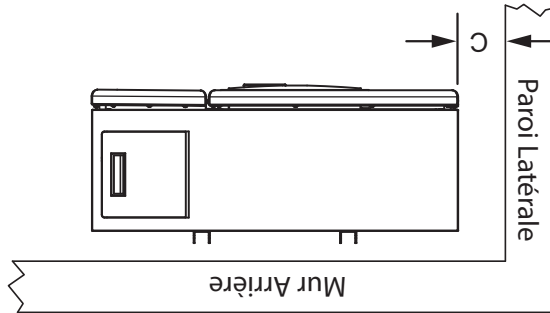
- Installation dans un garage résidentiel : L'appareil de chauffage doit être placé ou protégé de sorte qu'il ne soit pas abîmé par un véhicule en mouvement. Choisissez avec soin l'emplacement de l'appareil dans le garage. NE PLACEZ PAS l'appareil de chauffage à un endroit où l'air évacué serait dirigé sur un véhicule stationné à proximité. N'ENTREPOSEZ PAS de pots de peinture, de bidons d'essence ou d'autres liquides inflammables dans le même secteur que l'appareil de chauffage, à l'intérieur ou à l'extérieur de la maison ou de la structure.

### AVERTISSEMENT :

**ÉVITEZ TOUT RISQUE DE BLESSURE OU DE DOMMAGES MATÉRIELS ! NE SÉRREZ PAS TROP LES TIRFONDS, CELA POURRAIT DÉPOUILLER LES TROUS DE FIXATION ET LES BOULONS POURRAIENT NE PAS TENIR CORRECTEMENT.**

## INSTALLATION MURALE

Sélectionnez un mur extérieur du bâtiment. Ce mur doit offrir le dégagement minimum par rapport aux matériaux combustibles à l'intérieur et à l'extérieur, comme l'indique ce manuel. Assurez-vous qu'aucun fil électrique, conduit, canalisation d'eau ou de gaz ne traverse la zone que vous avez sélectionnée.



G	Manteau / seuil	11 po (279 mm)
F	Plancher (prévoir un renfort)	8 po (l'évent de 203 mm doit respecter une garde au sol minimale)
E	Plafond au poêle (permettre le chargement de combustible)	18 po (457 mm)
D	Avant du poêle	24 po (607 mm)
C	Mur latéral au poêle	6 po (152 mm)

## CONDITIONS D'INSTALLATION DANS UNE MAISONS MOBILES/BÂTIMENTS PORTATIF

### AVERTISSEMENT :


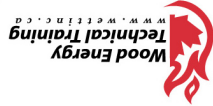
**N'INSTALLEZ PAS L'APPAREIL DANS UNE CHAMBRE À COUCHER**

### MISE EN GARDE:

**L'INTÉGRITÉ STRUCTURELLE DU PLANCHER DE LA MAISONS MOBILES/BÂTIMENTS PORTATIF, DES MURS ET DU TOIT DOIT ÊTRE PRÉSERVÉE.**

**ATTENTION:**  
**ADRESSEZ-VOUS AUX AUTORITÉS LOCALES DE L'URBANISME POUR OBTENIR UN PERMIS ET DES RENSEIGNEMENTS SUR TOUTE AUTRE RESTRICTION À L'INSTALLATION ET SUR LES EXIGENCES D'INSPECTION DANS VOTRE RÉGION.**

We recommend that our woodburning hearth products be installed and serviced by professionals who are certified in the U.S. by the National Fireplace Institute® (NFI) as NFI Woodburning Specialists or who are certified in Canada by Wood Energy Technical Training (WETT).

[www.nficertified.org](http://www.nficertified.org)

Votre appareil de chauffage doit être installé par un technicien qualifié NFI (États-Unis) ou WETT (Canada). Pour trouver l'installateur qualifié le plus proche, rendez-vous sur :

<https://nficertified.org>

<https://www.wettinc.ca/>

**OPTIONS D'INSTALLATION**

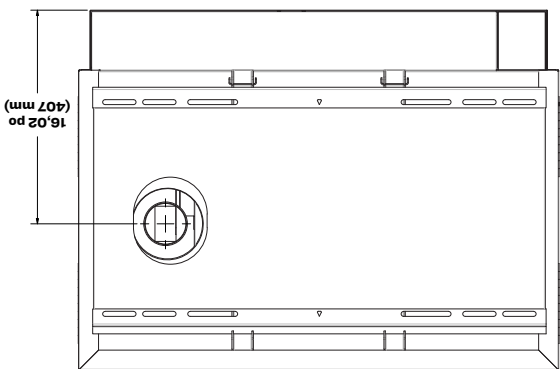
Lisez l'intégralité de ce manuel avant d'installer et d'utiliser votre poêle à granules. Le non-respect des instructions peut entraîner des dommages matériels, des blessures corporelles ou même la mort! Avant d'installer votre appareil de chauffage, vous devez effectuer une première combustion dans un environnement EXTÉRIEUR. Suivez la procédure de démarrage dans la section «Fonctionnement» de ce manuel. Voir les détails d'installation spécifiques pour les dégagements et autres exigences d'installation. Votre poêle à granules peut être installé pour coder dans une maison conventionnelle ou mobile (voir Exigences standard pour les maisons mobiles). Il est recommandé que seul un technicien autorisé installe votre appareil de chauffage, de préférence un spécialiste certifié par le National Fireplace Institute (NFI). Ce radiateur doit être installé sur un mur extérieur pour permettre à la ventilation d'évacuation de respecter les dégagements minimaux requis. Une fois que l'emplacement souhaité est sélectionné, et avant de couper un trou, vérifiez l'extérieur de la structure pour tout élément obstruant les dégagements de la sortie d'échappement. Éliminez également les feuilles, les arbustes / buissons ou les arbres qui peuvent se trouver autour de la sortie d'échappement.

**ATTENTION:**  
**AVANT D'INSTALLER VOTRE CHAUFFAGE, VOUS DEVEZ EFFECTUER UNE BRÛLURE INITIALE DANS UN ENVIRONNEMENT EXTÉRIEUR. SUIVEZ LA PROCÉDURE DE DÉMARRAGE DANS LA SECTION OPÉRATION DE CE MANUEL.**

**INSTALLATION INCORRECTE**

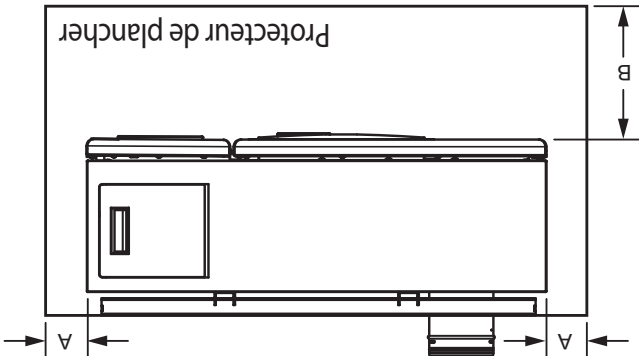
Le fabricant ne sera pas tenu responsable des dommages causés par le mauvais fonctionnement d'un poêle en raison d'une ventilation ou d'une installation incorrecte. Consultez un installateur professionnel si vous avez des questions.

**EMPLACEMENTS D'ÉCHAPPEMENT**



**PROTECTION DES SOLS**

Cet appareil de chauffage doit avoir un protecteur de plancher incombustible (protection contre les braises) installé en dessous si le plancher est en matériau combustible. Si un coussin de sol est utilisé, il doit être homologué UL ou équivalent. Le protecteur de plancher doit être suffisamment grand pour s'étendre sous le poêle et au-delà de chaque côté comme indiqué. Un protecteur de plancher de 1/4 po d'épaisseur est recommandé pour cette installation.



A	Côtés	USA 2 po (51mm) CAN 8 po (200 mm)
B	De face	USA 6 po (152mm) CAN 18 po (450 mm)

**DÉGAGEMENTS**

Votre poêle à granules a été testé et répertorié pour une installation dans une maison résidentielle et mobile conformément aux dégagements indiqués ci-dessous. Pour des raisons de sécurité, veuillez respecter les dégagements et restrictions d'installation. Toute réduction du jeu aux combustibles ne peut être effectuée que par des moyens approuvés par une autorité réglementaire.



S'assurer que le déflecteur de flammes est correctement installé. Si le déflecteur n'est pas bien installé, poussez la plaque vers le haut dans le vide en l'inclinant, faites-la pivoter à l'horizontale et placez-le sur les butées métalliques

## INSTALLATION

### NE JAMAIS FAIRE FONCTIONNER CE PRODUIT SANS SURVEILLANCE

**ATTENTION:**

- CET APPAREIL DE CHAUFFAGE DOIT ÊTRE INSTALLÉ SUR UN MUR EXTÉRIEUR À L'EXTÉRIEUR.
- UN DÉTECTEUR DE FUMÉE FONCTIONNEL DOIT ÊTRE INSTALLÉ DANS LA PIÈCE OÙ SE TROUVE LE POÊLE.

**ATTENTION:**

- LE CHAUFFAGE NE FONCTIONNE PAS PENDANT UNE PANNE DE COURANT. EN CAS DE PANNE DE COURANT, VÉRIFIEZ LE CHAUFFAGE POUR DÉVERSER DE FUMÉE ET OUVRER UNE FENÊTRE SI UNE FUMÉE SE DÉVERSE DANS LA PIÈCE.
- N'OBSTRUEZ JAMAIS LA CIRCULATION DE L'AIR DES GRILLES D'ÉRATION OUVERTES DE L'APPAREIL.
- LE CONNECTEUR DE CHEMINÉE NE PASSERA PAS À TRAVERS UN GRENIER OU UN ESPACE DE TOIT, UN PLACARD OU UN ESPACE CACHÉ SIMILAIRE, OU UN PLANCHER OU UN PLAFOND. LORSQUE LE PASSAGE À TRAVERS UN MUR OU UNE PARTITION DE CONSTRUCTION COMBUSTIBLE EST DÉSIRÉ, L'INSTALLATION DOIT ÊTRE CONFORME À CAN / CSA-B365, CODE D'INSTALLATION POUR LES APPAREILS À COMBUSTIBLE SOLIDE ET L'ÉQUIPEMENT
- NE PLACEZ AUCUN VÊTEMENT OU AUTRE OBJET INFLAMMABLE SUR OU PRÈS DU POÊLE.

**AVIS DE SÉCURITÉ**

- UN DISJONCTEUR DOIT ÊTRE INSTALLÉ. CET APPAREIL DOIT ÊTRE BRANCHÉ SUR UNE PRISE MURALE AVEC TERRE DE 110-120 V, 60 Z. N'UTILISEZ PAS D'ADAPTATEUR DE PRISE ET NE COUPEZ PAS LA FICHE DE TERRE. N'ACHEMINEZ PAS LE CORDON ÉLECTRIQUE SOUS, DEVANT OU SUR LE POÊLE. NE FAITES PAS COURIR LE CORDON ÉLECTRIQUE DANS LES ZONES DE PASSAGE ET NE LE COINCEZ PAS SOUS LES MEUBLES.
- LE SYSTÈME D'ÉCHAPPEMENT DOIT ÊTRE VÉRIFIÉ BIMONTHLY PENDANT LA SAISON DE BRÛLURE POUR TOUT ACCUMULATION DE FLYASH, SUIE OU CRÉOSOTE.
- CET APPAREIL N'EST PAS DESTINÉ À UN USAGE COMMERCIAL.
- N'UTILISEZ JAMAIS D'ESSENCE, DE COMBUSTIBLE À LANTERNE DE TYPE ESSENCE, DE KÉROSENE, D'ESSENCE D'ALLUME-FEU OU D'AUTRES LIQUIDES SIMILAIRES POUR ALLUMER OU RAVIVER LE FEU DANS CE POÊLE. GARDEZ TOUS CES LIQUIDES ÉLOIGNÉS DU POÊLE LORSQU'IL EST EN MARCHÉ.
- NE PAS RACCORDER OU UTILISER EN CONJONCTION AVEC TOUT CONDUIT DE DISTRIBUTION D'AIR SAUF SAUF APPROUVÉ SPÉCIFIQUEMENT POUR DE TELLES INSTALLATIONS.
- NE PAS RACCORDER CET APPAREIL À UN FUMÉE DE CHEMINÉE SERVANT UN AUTRE APPAREIL.
- N'INSTALLEZ PAS D'AMORTISSEUR DE FUMÉE DANS LE SYSTÈME D'ÉVACUATION D'ÉCHAPPEMENT DE CET APPAREIL.

**Propriétaire du domicile: CONSERVEZ CETTE INFORMATION POUR RÉFÉRENCE FUTURE**

\_\_\_\_\_  
 Date: \_\_\_\_\_ Nom en lettres moulées \_\_\_\_\_ Signé: \_\_\_\_\_

applicables.  
 travail associé a été installé conformément aux instructions du fabricant et en suivant les codes de construction et d'installation  
 Déclaration d'achèvement: En tant que personne qualifiée responsable des travaux ci-dessus, je confirme que l'appareil en tant que

- courant .....
- Expliciter le fonctionnement en toute sécurité, l'utilisation appropriée du carburant, le nettoyage et les exigences d'entretien
- Assurez-vous qu'un avertisseur de CO est installé conformément aux codes du bâtiment locaux et qu'il est fonctionnel.....
- Confirmez que le poêle tire correctement lorsqu'il est allumé.....
- Confirmer que tous les tuyaux de fumée et le système de cheminée sont sécurisés et scellés.....
- Vérifier le fonctionnement des commandes pneumatiques .....
- Confirmer les dégagements aux combustibles selon les instructions d'installation de ce manuel.....
- Vérifier la solidité du joint de porte et de l'étanchéité de la porte.....
- Confirmer le bon placement des pièces internes.....
- Confirmer l'installation du tapis de foyer conformément aux instructions d'installation .....

**MISE EN SERVICE**

\_\_\_\_\_  
 Si non, date d'inspection du système de cheminée existant:

\_\_\_\_\_  
 Système de cheminée: nouveau système de cheminée  Oui  Non si oui, marque \_\_\_\_\_

\_\_\_\_\_  
 Emplacement de l'appareil installé: \_\_\_\_\_

**DESCRIPTION DU TRAVAIL**

Nom du client:										Numéro de Téléphone									
Adresse:																			
Modèle:																			
Numéro de série:																			
Nom de la société d'installation:										Numéro de Téléphone:									
Nom du technicien d'installation:										Numéro de Licence:									

S'il te plaît imprime

garantie.  
 Le fait de ne pas installer et mettre en service selon les instructions du fabricant et de remplir cette liste de contrôle annulera la

Cette liste de contrôle doit être remplie intégralement par la personne qualifiée qui installe cet appareil. Conservez cette page pour référence future.

**LISTE DE CONTRÔLE DE MISE EN SERVICE**

1-800-776-9425

**ASSISTANCE TECHNIQUE**

[www.nfpcertified.org/public/find-an-nfi-pro/](http://www.nfpcertified.org/public/find-an-nfi-pro/)

Votre poêle à bois ne doit être installé que par un installateur qualifié. Un installateur qualifié NFI peut être trouvé à

**LISTE DE CONTRÔLE D'INSTALLATION**

*Comfort Glow*

Le manuel décrit l'installation et l'utilisation du poêle à bois Comfort Glow, WMP7000, 4840. Cet appareil de chauffage respecte les limites d'émission de bois des appareils de chauffage au bois vendues après le 15 mai 2020 par l'Agence de protection de l'environnement des États-Unis pour la protection de l'environnement. Dans des conditions de test spécifiques, il a été démontré que cet appareil de chauffage fournissait de la chaleur à des débits allant de 8 141 à 12 161 btu / h.

Caractéristiques De Chauffage	
Capacité de chauffage	500 - 1 000 sq. ft.
Taux de combustion du combustible	3/4 - 2 1/2 lbs./h.
Durée de combustion (à bas régime)	35 heures
Capacité de la trémie *	*jusqu'à 28 lbs
* La taille des granulés peut affecter le débit réel d'alimentation en carburant, les durées de combustion et la capacité de la trémie. Les débits d'alimentation en carburant peuvent varier jusqu'à 20 %. Utilisez du carburant homologué PFI pour de meilleurs résultats.	

Caractéristiques Électriques	
Tarif Électrique	110-120 Volts, 60 Hz, 3,0 A
Watts (opérationnel)	175 environ
Watts (allumeur en marche)	425 environ
Dimensions	
Hauteur X Largeur X Profondeur	685,7 mm [27 po] X 914,4 mm [36 po] X 315,77 mm [12,43 po]
Profondeur avec le support de fixation murale	Environ 362,4 mm [14,27 po]
Du bas de l'unité au centre du tuyau d'échappement	16,02 po (407 mm)

**ATTENTION:**  
**IL EST CONTRE LES RÉGLEMENTS FÉDÉRAUX DE FAIRE FONCTIONNER CE CHAUFFE À BOIS D'UNE MANIÈRE INCOMPATIBLE AVEC LES INSTRUCTIONS D'UTILISATION DU MANUEL DU PROPRIÉTAIRE.**



# Manuel d'instructions et d'utilisation du propriétaire

*Comfort Glow*<sup>®</sup>

Numéro De Modèle:

**WMP57000**

4840

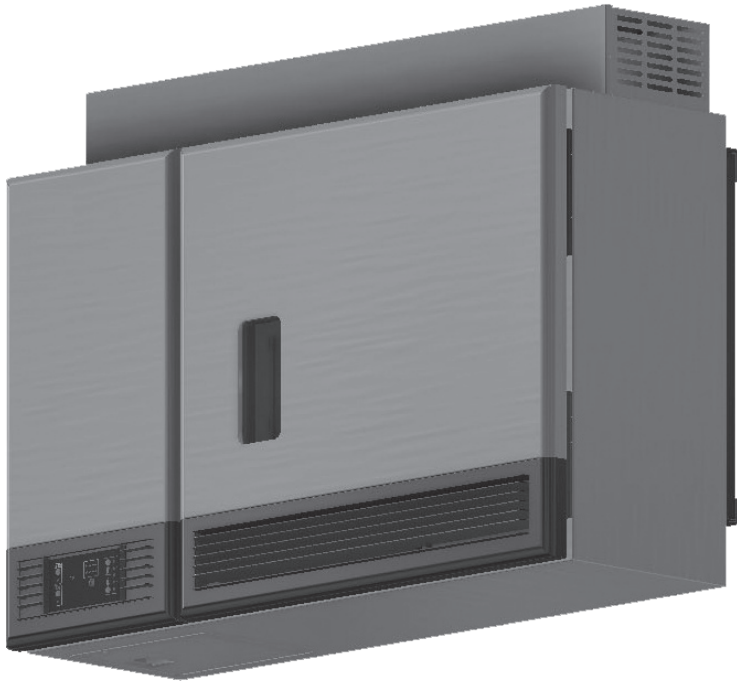


Report #: F20-598

Certifié ASTM Std E1509-12 (2022) et Certifié

CAN/ULC S627:2023

Maisons Mobiles / Bâtiments Portatif Approuvé



\* Toutes les images de ce manuel sont à des fins d'illustration uniquement. Le produit réel peut varier.

Conservez ces instructions dans un endroit sûr pour référence ultérieure.



**AVIS DE SÉCURITÉ:** Si ce radiateur n'est pas correctement installé, un incendie peut en résulter. Pour votre sécurité, suivez les instructions d'installation. N'utilisez jamais de compromis de fortune lors de l'installation de ce radiateur. Contactez les responsables locaux du bâtiment ou des pompiers pour connaître les permis, les restrictions et les exigences d'installation dans votre région. NE JAMAIS UTILISER CE PRODUIT SANS SURVEILLANCE.



**MISE EN GARDE!** Veuillez lire l'intégralité de ce manuel avant d'installer ou d'utiliser votre nouveau radiateur. Le non-respect des instructions peut entraîner des dommages matériels, des blessures corporelles ou même la mort. Une installation incorrecte pourrait annuler votre garantie!

**AGENCE AMÉRICAINE DE PROTECTION  
DE L'ENVIRONNEMENT**  
Certifié conforme aux normes d'émissions  
de particules 2020.

**AVERTISSEMENT SUR LA PROPOSITION 65 DE LA CALIFORNIE:**  
Ce produit peut vous exposer à des produits chimiques, y compris le monoxyde de carbone, qui est connu dans l'État de Californie pour provoquer le cancer, des anomalies congénitales et / ou d'autres troubles de la reproduction. Pour plus d'informations, visitez [www.P65warnings.ca.gov](http://www.P65warnings.ca.gov)

CE MANUEL EST SUJET À MODIFICATION SANS PRÉAVIS.  
World Marketing of America, Inc, 12256 William Penn Hwy, Mill Creek, PA 17060  
Email: [info@worldmktg.com](mailto:info@worldmktg.com) PH: 1-800-776-9425